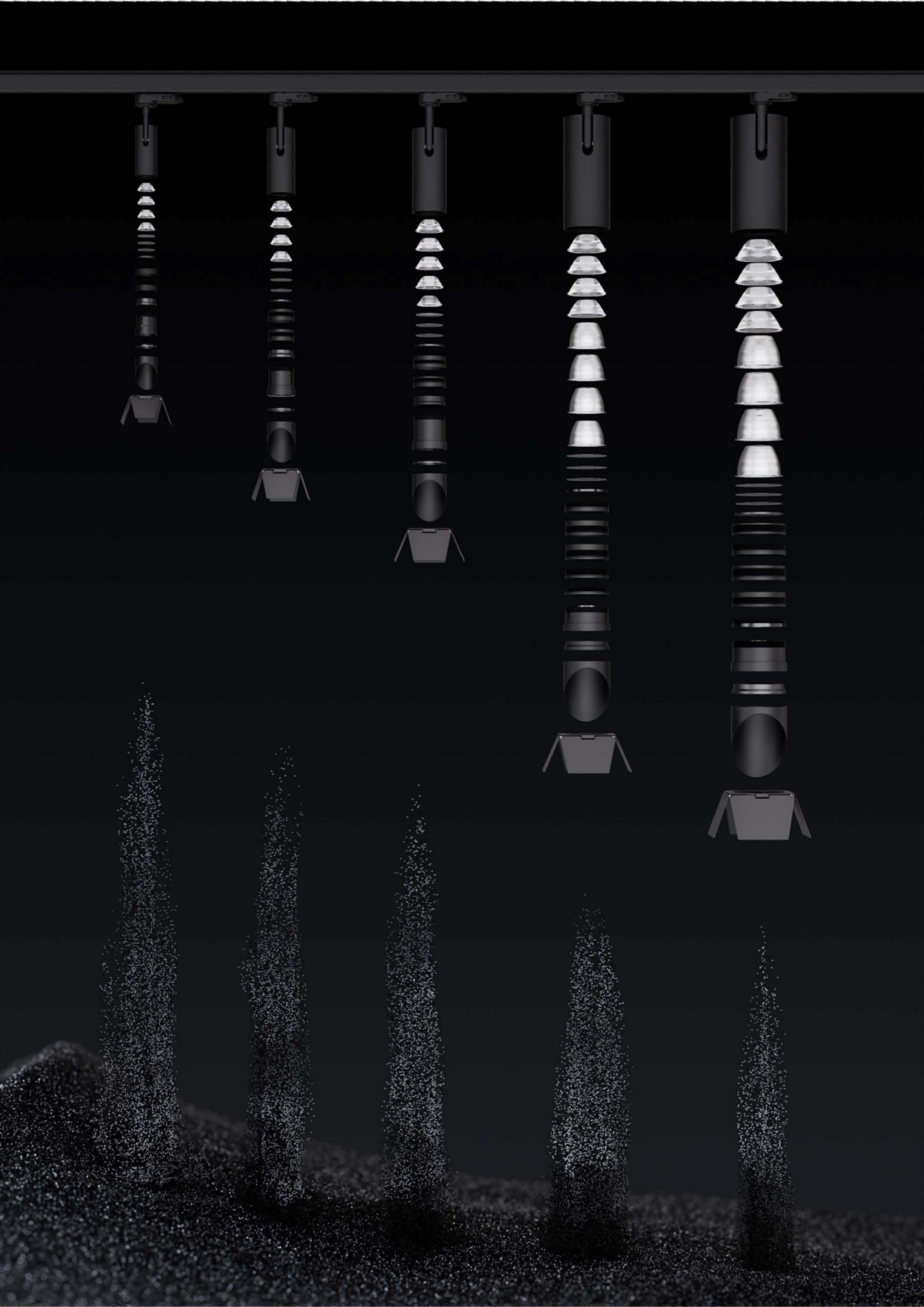


Allure Design















# INDEX

## LED Track Light

10 Series

●05



11 Series

●29



20 Series

●55



21 Series

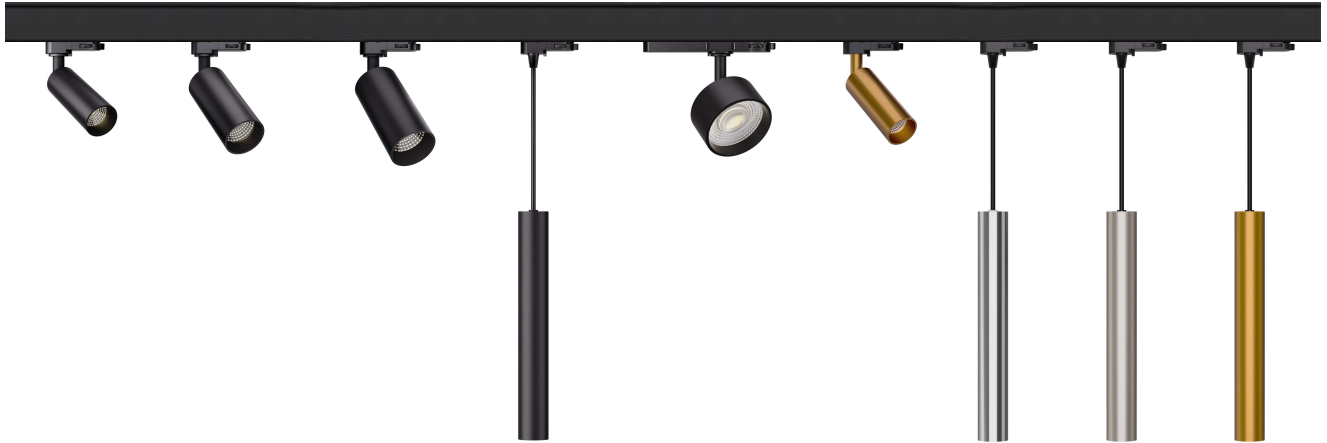
●65





# LED Track Light

01 Series ●73



Winner Series ●89



Linear Light ●95



# INDEX

## LED Down Light

Down 01 Series ●97



Down 02 Series ●101



Down 03 Series ●111



Down 04 Series ●113

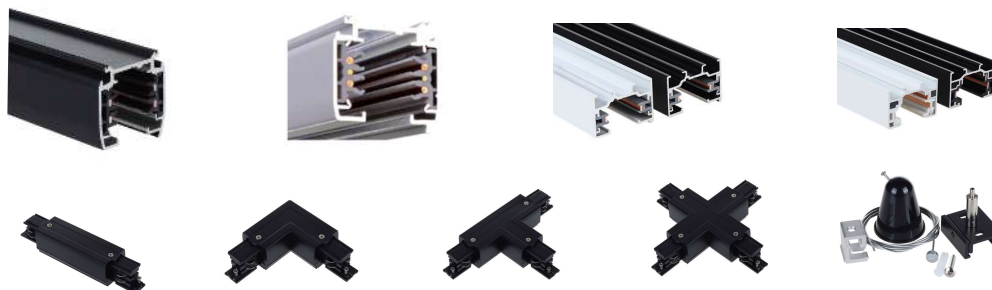


Down 05 Series ●115

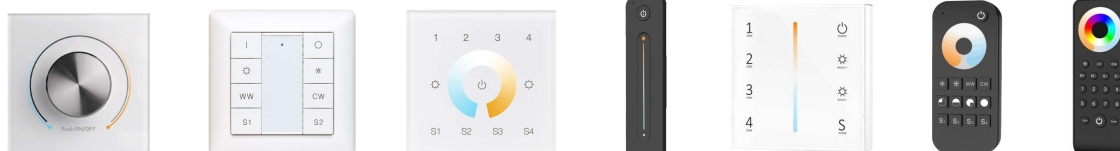


# More Lighting Solutions

Track Lighting Accessories ●119



Lighting Controllers ●123

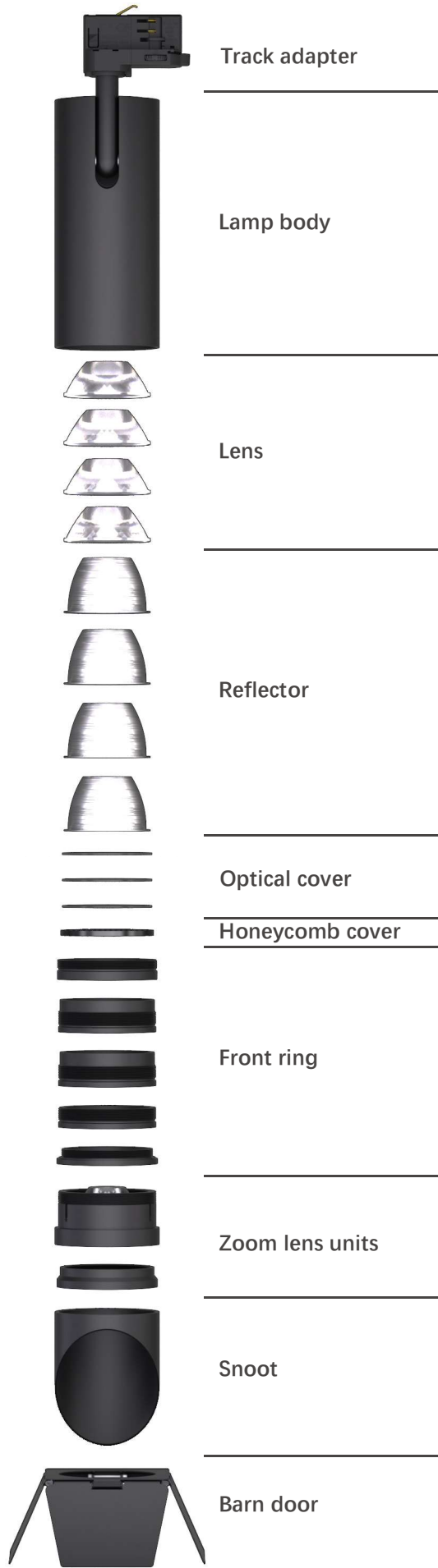


Smart Lighting Introduction ●125



Company Profile ●129

# Track Light Professional





Front ring 1  
(reflector)



Front ring 4  
(snoot, barn door, reflector)



Front ring 2  
(lens)



Front ring 5  
(snoot, barn door, lens)



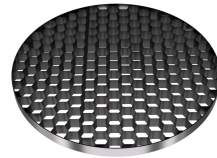
Front ring 3  
(snoot, barn door)



Front ring 6  
(snoot, barn door, zoom)



Optical cover



Honeycomb cover



Snoot



Barn door



Zoom units



Lens



Reflector





Zoomable



1035A

1045A

1055A

1075A

1090A

Fixed lens



1135L

1145L

1155L

1175L

1190L

Alanod Aluminum Reflector



1175H

1190H



Zoom type



Black



Black  
+ Lens cover



Black  
+ Honeycomb



Black  
+ Snoot



Black  
+ Barn door



White



White  
+ Lens cover



White  
+ Honeycomb



White  
+ Snoot



White  
+ Barn door

Fixed lens type



Black



White



White+Black ring



Black+ Honeycomb



White+Honeycomb

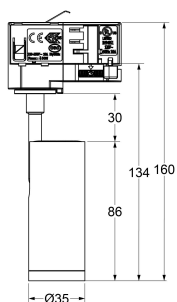


White+Black ring  
+Honeycomb

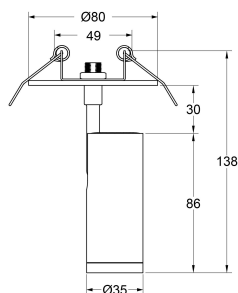


**1035A Zoomable**

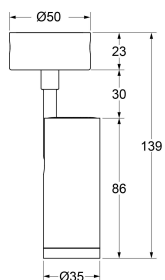
# 1035A, Driver Inside Type



Track



Recessed



Mounted

Model No.	Watt	Control	Dimension	Beam angle	Color temp.	CRI	Lumen
1035A (TRB)	5W	Triac Dim	D35*H86	8~40°	27/30/35/4000K	Ra90	160lm



• Input voltage: AC220~240V • Housing color: White or Black



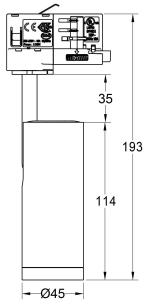
**1045A Zoomable**



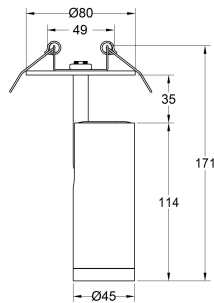
Zoom 8~40°

Zoomable unique design  
Oval, Softening, Wide Flood light created by extra lens cover

# 1045A, Driver Inside Type



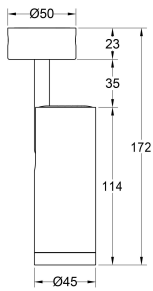
Track



Recessed



Zoom 8~40°



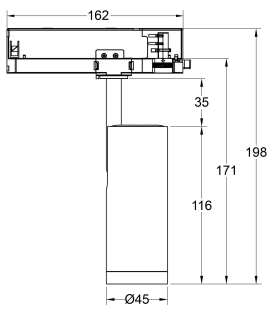
Mounted

Model No.	Watt	Control	Dimension	Beam angle	Color temp.	CRI	Lumen
1045A (ONF)	6W	No-Dim	D45*H114	8~40°	27/30/35/4000K	Ra90	170lm
1045A (TRB)	6W	Triac Dim	D45*H114	8~40°	27/30/35/4000K	Ra90	170lm

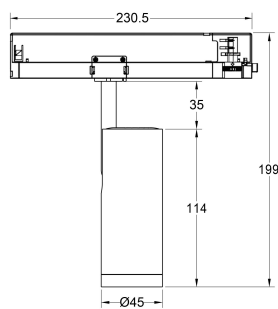
• Input voltage: AC220~240V • Housing color: White or Black



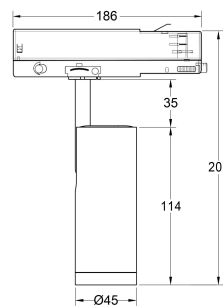
# 1045A, Integrated Adapter Type, External Driver Box Type



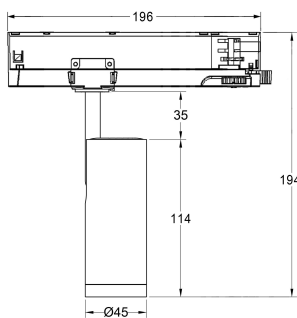
INT



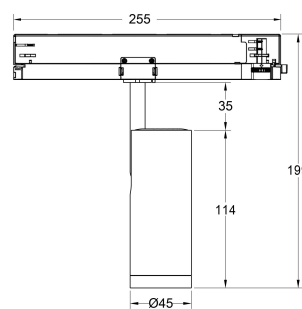
CAB



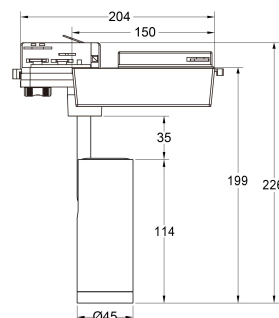
DOA



TRI



DAB



RFC, CAC

Model No.	Watt	Control	Dimension	Beam angle	Color temp.	CRI	Lumen
1045A (INT)	12W	No-Dim	D45*H114	8~40°	27/30/35/4000K	Ra90	350lm
1045A (TRI)	12W	Triac Dim	D45*H114	8~40°	27/30/35/4000K	Ra90	350lm
1045A (DOA)	12W	1-10V Knob	D45*H114	8~40°	27/30/35/4000K	Ra90	350lm
1045A (CAB)	12W	CASAMBI	D45*H114	8~40°	27/30/35/4000K	Ra90	350lm
1045A (DAB)	12W	DALI, 6 Wire	D45*H114	8~40°	27/30/35/4000K	Ra90	350lm
1045A (RFC)	12W	RF 2.4G	D45*H114	8~40°	2700~5700K	Ra90	280lm
1045A (CAC)	12W	CASAMBI	D45*H114	8~40°	2700~5700K	Ra90	280lm

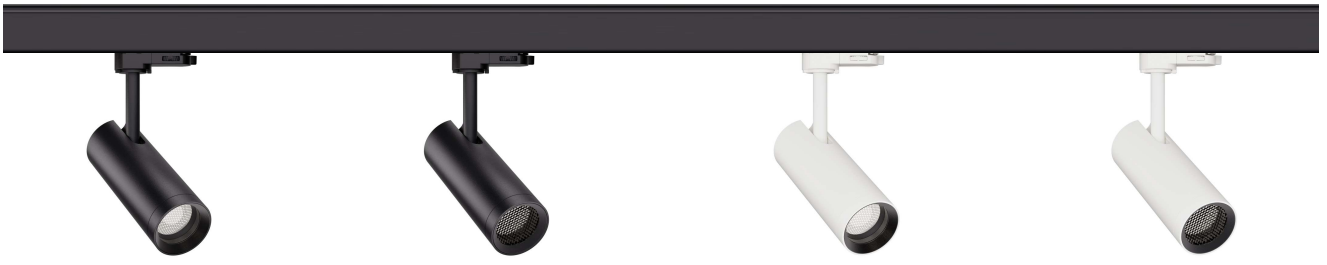


• Input voltage: AC220~240V • Housing color: White or Black

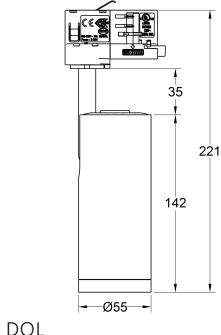
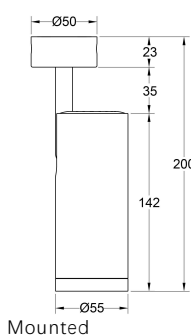
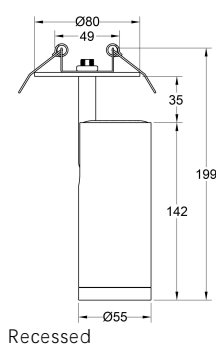
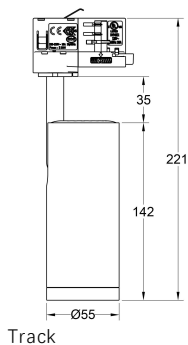


**1055A Zoomable**





# 1055A, Driver Inside Type

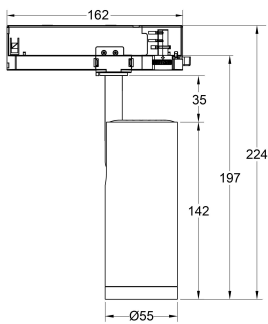


Model No.	Watt	Control	Dimension	Beam angle	Color temp.	CRI	Lumen
1055A (ONF12)	12W	No-Dim	D55*H142	8~50°	27/30/35/4000K	Ra90	450lm
1055A (TRB)	12W	Triac	D55*H142	8~50°	27/30/35/4000K	Ra90	450lm
1055A (DOL)	12W	1-10V Knob	D55*H142	8~50°	27/30/35/4000K	Ra90	450lm
1055A (DAI)	12W	DALI	D55*H142	8~50°	27/30/35/4000K	Ra90	450lm
1055A (ONF15)	15W	No-Dim	D55*H142	15~50°	27/30/35/4000K	Ra90	720lm

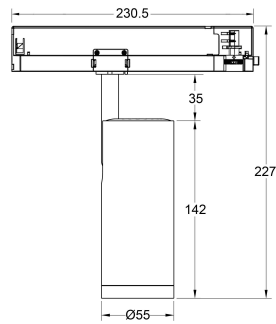


● Input voltage: AC220~240V ● Housing color: White or Black

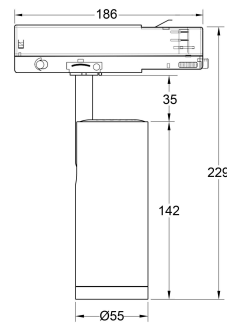
# 1055A, Integrated Adapter Type, External Driver Box Type



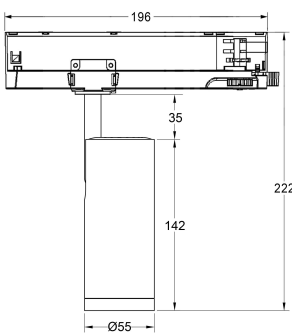
INT



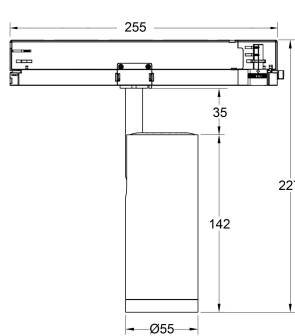
CAB



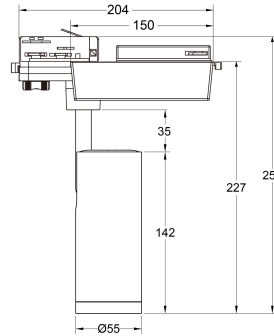
DOA



TRI



DAB



RFC, CAC

Model No.	Watt	Control	Dimension	Beam angle	Color temp.	CRI	Lumen
1055A (INT)	15W	No-Dim	D55*H142	15~50°	27/30/35/4000K	Ra90	720lm
1055A (TRI)	15W	Triac Dim	D55*H142	15~50°	27/30/35/4000K	Ra90	720lm
1055A (DOA)	15W	1-10V Knob	D55*H142	15~50°	27/30/35/4000K	Ra90	720lm
1055A (CAB)	15W	CASAMBI	D55*H142	15~50°	27/30/35/4000K	Ra90	720lm
1055A (DAB)	15W	DALI, 6 Wire	D55*H142	15~50°	27/30/35/4000K	Ra90	720lm
1055A (RFC)	12W	RF 2.4G	D55*H142	15~50°	2700~5700K	Ra90	380lm
1055A (CAC)	12W	CASAMBI	D55*H142	15~50°	2700~5700K	Ra90	380lm



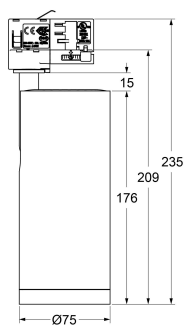
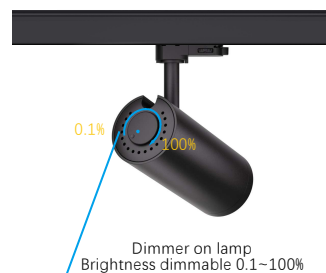
• Input voltage: AC220~240V • Housing color: White or Black



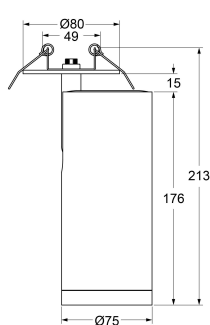
**1075A Zoomable**



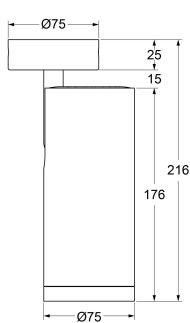
# 1075A, Driver Inside Type



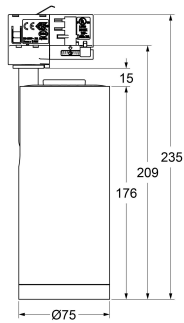
Track



Recessed



Mounted



DOL

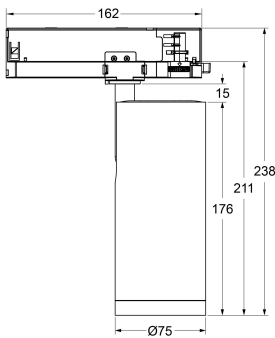
Model No.	Watt	Control	Dimension	Beam angle	Color temp.	CRI	Lumen
1075A (ONF)	20W	No-Dim	D75*H176	15~55°	27/30/35/4000K	Ra90	1900lm
1075A (TRB)	20W	Triac	D75*H176	15~55°	27/30/35/4000K	Ra90	1900lm
1075A (DOL)	20W	1-10V Knob	D75*H176	15~55°	27/30/35/4000K	Ra90	1900lm
1075A (DAI)	20W	DALI	D75*H176	15~55°	27/30/35/4000K	Ra90	1900lm



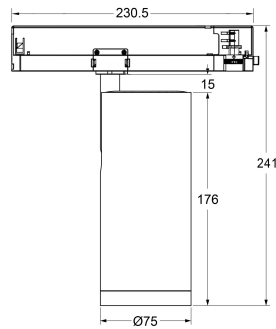
● Input voltage: AC220~240V ● Housing color: White or Black

# 1075A, Integrated

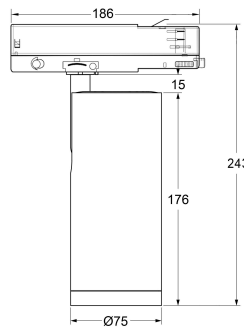
# Adapter Type, External Driver Box Type



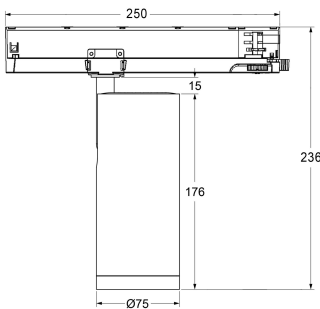
INT



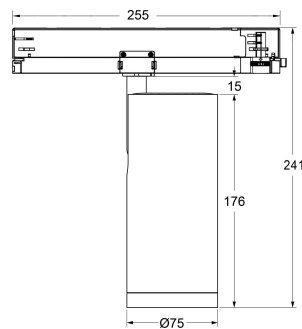
CAB



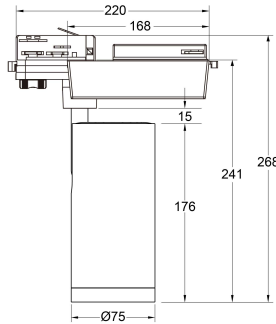
DOA



TRI



DAB



RFC, CAC

Model No.	Watt	Control	Dimension	Beam angle	Color temp.	CRI	Lumen
1075A (INT)	25W	No-Dim	D75*H176	15~55°	27/30/35/4000K	Ra90	2400lm
1075A (TRI)	25W	Triac Dim	D75*H176	15~55°	27/30/35/4000K	Ra90	2400lm
1075A (DOA)	25W	1-10V Knob	D75*H176	15~55°	27/30/35/4000K	Ra90	2400lm
1075A (CAB)	25W	CASAMBI	D75*H176	15~55°	27/30/35/4000K	Ra90	2400lm
1075A (DAB)	25W	DALI, 6Wire	D75*H176	15~55°	27/30/35/4000K	Ra90	2400lm
1075A (RFC)	20W	RF 2.4G	D75*H176	15~55°	2700~5700K	Ra90	1500lm
1075A (CAC)	20W	CASAMBI	D75*H176	15~55°	2700~5700K	Ra90	1500lm



• Input voltage: AC220~240V • Housing color: White or Black



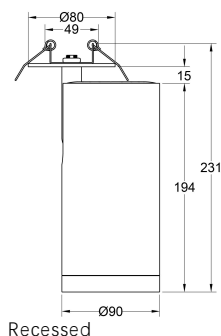
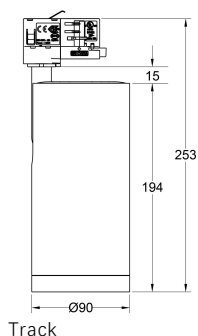
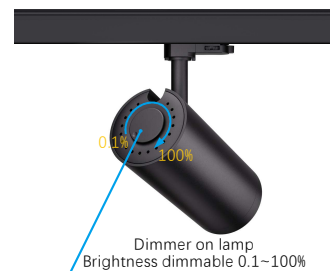
**1090A Zoomable**



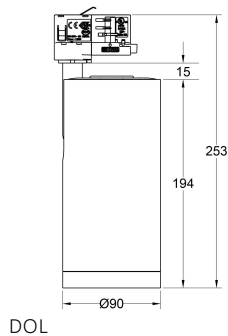
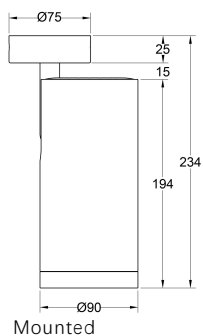


Zoomable unique design  
Oval, Softening, Wide Flood light created by extra lens cover

# 1090A, Driver Inside Type



Zoom 15~60°



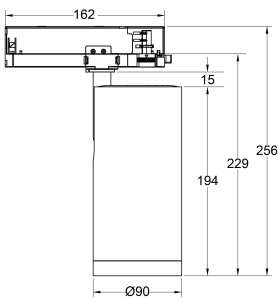
Model No.	Watt	Control	Dimension	Beam angle	Color temp.	CRI	Lumen
1090A (ONF30)	30W	No-Dim	D90*H194	15~60°	27/30/35/4000K	Ra90	2600lm
1090A (TRB)	30W	Triac	D90*H194	15~60°	27/30/35/4000K	Ra90	2600lm
1090A (DOL)	30W	1-10V Knob	D90*H194	15~60°	27/30/35/4000K	Ra90	2600lm
1090A (DAI)	30W	DALI	D90*H194	15~60°	27/30/35/4000K	Ra90	2600lm



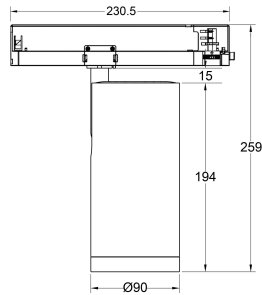
• Input voltage: AC220~240V • Housing color: White or Black

# 1090A, Integrated

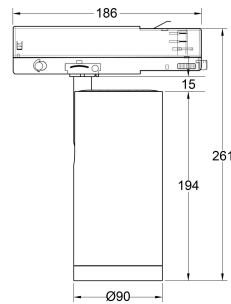
# Adapter Type, External Driver Box Type



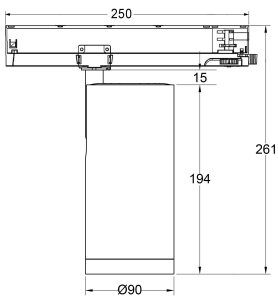
INT



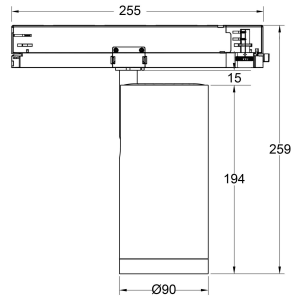
CAB



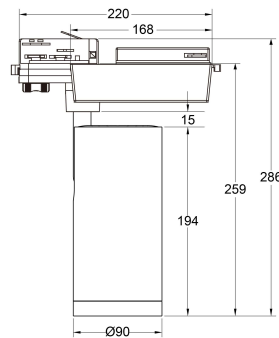
DOA



TRI



DAB



RFC, CAC

Model No.	Watt	Control	Dimension	Beam angle	Color temp.	CRI	Lumen
1090A (INT)	30W	No-Dim	D90*H194	15~60°	27/30/35/4000K	Ra90	2800lm
1090A (TRI)	30W	Triac Dim	D90*H194	15~60°	27/30/35/4000K	Ra90	2800lm
1090A (DOA)	30W	1-10V Knob	D90*H194	15~60°	27/30/35/4000K	Ra90	2800lm
1090A (CAB)	30W	CASAMBI	D90*H194	15~60°	27/30/35/4000K	Ra90	2800lm
1090A (DAB)	30W	DALI, 6 Wire	D90*H194	15~60°	27/30/35/4000K	Ra90	2800lm
1090A (RFC)	30W	RF 2.4G	D90*H194	15~60°	2700~5700K	Ra90	2200lm
1090A (CAC)	30W	CASAMBI	D90*H194	15~60°	2700~5700K	Ra90	2200lm

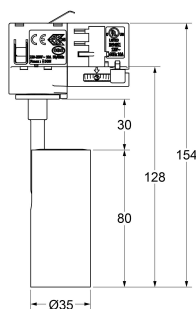
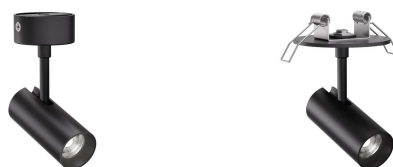


• Input voltage: AC220~240V • Housing color: White or Black

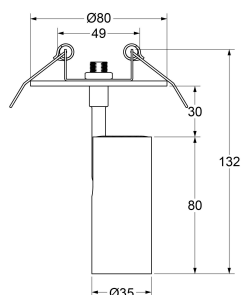


**1135L Fixed Lens**

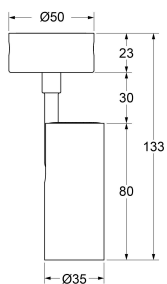
# 1135L, Driver Inside Type



Track



Recessed



Mounted

Model No.	Watt	Control	Dimension	Beam angle	Color temp.	CRI	Lumen
1135L (TRB)	5W	Triac Dim	D35*H80	15°/24°/36°/50°	27/30/35/4000K	Ra90	400lm



• Input voltage: AC220~240V • Housing color: White or Black



**1145L Fixed Lens**



15°

24°

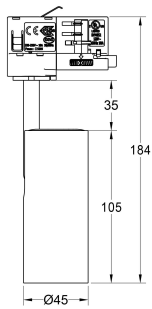
36°

50°

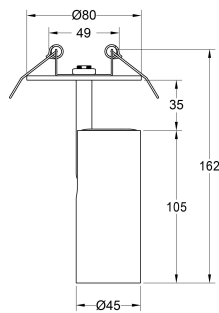


4 beam angle lenses are directly interchangeable

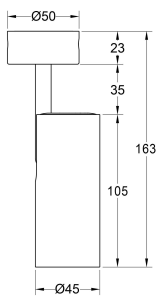
# 1145L, Driver Inside Type



Track



Recessed



Mounted

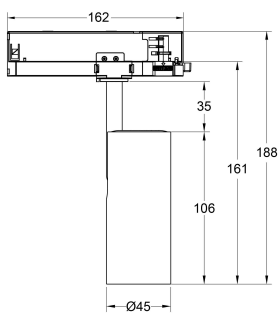
Model No.	Watt	Control	Dimension	Beam angle	Color temp.	CRI	Lumen
1145L (ONF)	6W	No-Dim	D45*H105	15°/24°/36°/50°	27/30/35/4000K	Ra90	420lm
1145L (TRB)	6W	Triac	D45*H105	15°/24°/36°/50°	27/30/35/4000K	Ra90	420lm
1145L (DTW)	6W	Triac	D45*H105	15°/24°/36°/50°	3000K to 2000K	Ra90	360lm



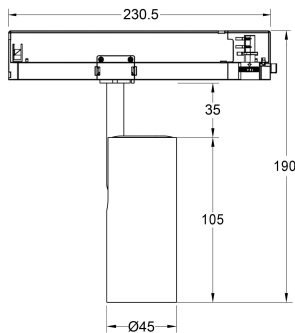
• Input voltage: AC220~240V • Housing color: White or Black



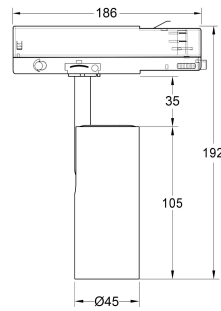
# 1145L, Integrated Adapter Type, External Driver Box Type



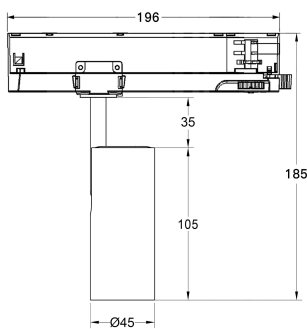
INT



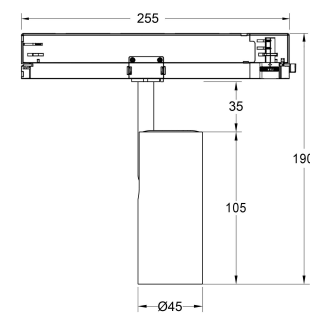
CAB



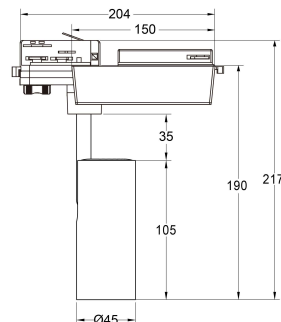
DOA



TRI



DAB



RFC, CAC

Model No.	Watt	Control	Dimension	Beam angle	Color temp.	CRI	Lumen
1145L (INT)	12W	No-Dim	D45*H105	15°/24°/36°/50°	27/30/35/4000K	Ra90	870lm
1145L (TRI)	12W	Triac Dim	D45*H105	15°/24°/36°/50°	27/30/35/4000K	Ra90	870lm
1145L (DOA)	12W	1-10V Knob	D45*H105	15°/24°/36°/50°	27/30/35/4000K	Ra90	870lm
1145L (CAB)	12W	CASAMBI	D45*H105	15°/24°/36°/50°	27/30/35/4000K	Ra90	870lm
1145L (DAB)	12W	DALI, 6 Wire	D45*H105	15°/24°/36°/50°	27/30/35/4000K	Ra90	870lm
1145A (RFC)	12W	RF 2.4G	D45*H105	15°/24°/36°/50°	2700-5700K	Ra90	700lm
1145A (CAC)	12W	CASAMBI	D45*H105	15°/24°/36°/50°	2700-5700K	Ra90	700lm



• Input voltage: AC220-240V • Housing color: White or Black



**1155L Fixed Lens**



15°

24°

36°

60°

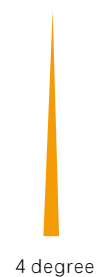
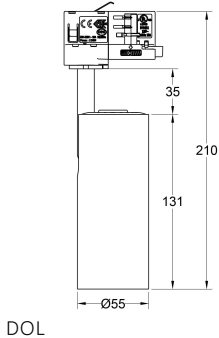
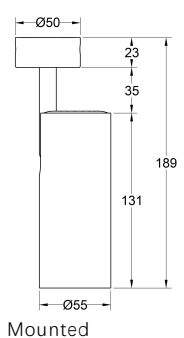
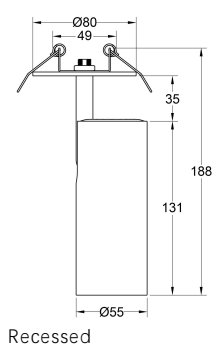
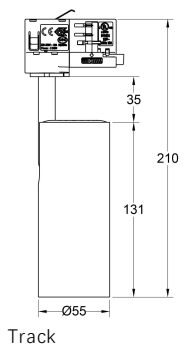
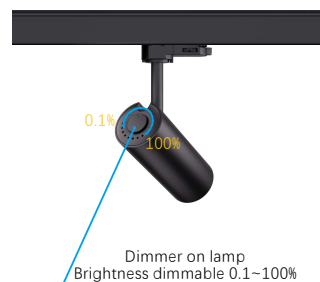


4 beam angle lenses are directly interchangeable

Dimmer on lamp  
brightness 0.1~100%



# 1155L, Driver Inside Type

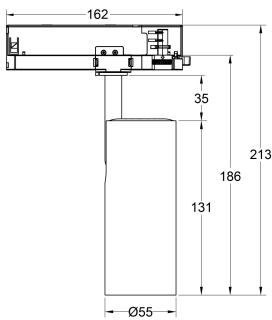


Model No.	Watt	Control	Dimension	Beam angle	Color temp.	CRI	Lumen
1155L (ONF)	12W	No-Dim	D55*H131	15°/24°/36°/60°	27/30/35/4000K	Ra90	1000lm
1155L (TRB)	12W	Triac	D55*H131	15°/24°/36°/60°	27/30/35/4000K	Ra90	1000lm
1155L (DOL)	12W	1-10V Knob	D55*H131	15°/24°/36°/60°	27/30/35/4000K	Ra90	1000lm
1155L (DTW)	12W	Triac	D55*H131	15°/24°/36°/60°	3000K to 2000K	Ra90	800lm
1155L (DAI)	12W	DALI	D55*H131	15°/24°/36°/60°	27/30/35/4000K	Ra90	1000lm
1155L (ONF15)	15W	No-Dim	D55*H131	15°/24°/36°/60°	27/30/35/4000K	Ra90	1400lm
1155L (4DOL)	4W	1-10V Knob	D55*H131	4°	27/30/35/4000K	Ra90	90lm

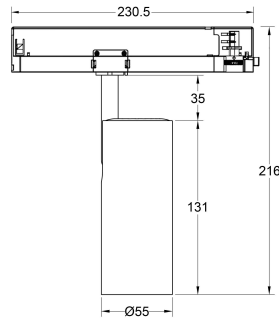


• Input voltage: AC220~240V • Housing color: White or Black

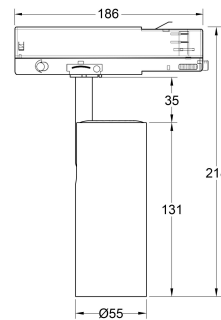
# 155L, Integrated Adapter Type, External Driver Box Type



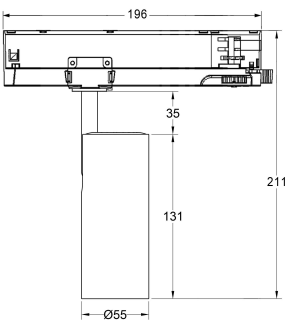
INT



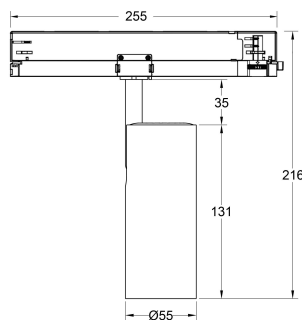
CAB



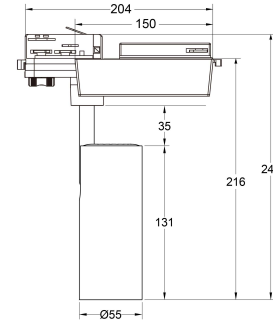
DOA



TRI



DAB



RFC, CAC

Model No.	Watt	Control	Dimension	Beam angle	Color temp.	CRI	Lumen
1155L (INT)	15W	No-Dim	D55*H131	15°/24°/36°/60°	27/30/35/4000K	Ra90	1400lm
1155L (TRI)	15W	Triac Dim	D55*H131	15°/24°/36°/60°	27/30/35/4000K	Ra90	1400lm
1155L (DOA)	15W	1-10V Knob	D55*H131	15°/24°/36°/60°	27/30/35/4000K	Ra90	1400lm
1155L (CAB)	15W	CASAMBI	D55*H131	15°/24°/36°/60°	27/30/35/4000K	Ra90	1400lm
1155L (DAB)	15W	DALI, 6 Wire	D55*H131	15°/24°/36°/60°	27/30/35/4000K	Ra90	1400lm
1155A (RFC)	12W	RF 2.4G	D55*H131	15°/24°/36°/60°	2700-5700K	Ra90	800lm
1155A (CAC)	12W	CASAMBI	D55*H131	15°/24°/36°/60°	2700-5700K	Ra90	800lm



• Input voltage: AC220-240V • Housing color: White or Black



**1175L Fixed Lens**



15°

24°

36°

60°

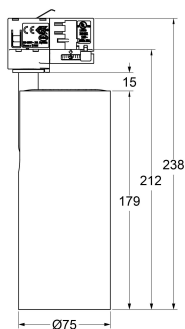
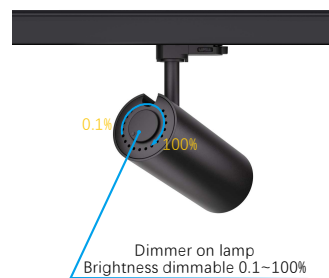


Dimmer on lamp  
brightness 0.1~100%

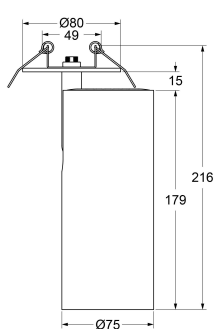


4 beam angle lenses are  
directly interchangeable

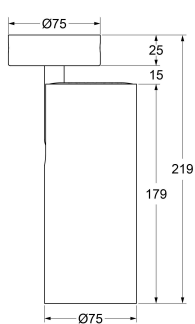
# 1175L, Driver Inside Type



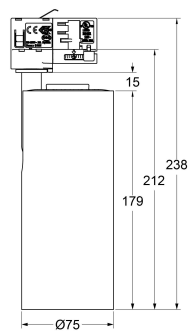
Track



Recessed



Mounted



DOL

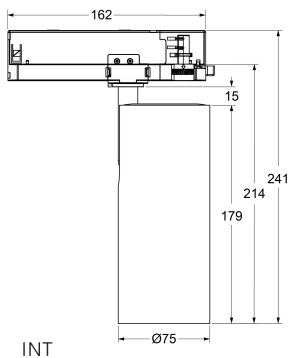
Model No.	Watt	Control	Dimension	Beam angle	Color temp.	CRI	Lumen
1175L (ONF)	20W	No-Dim	D75*H179	15°/24°/36°/60°	27/30/35/4000K	Ra90	2000lm
1175L (TRB)	20W	Triac	D75*H179	15°/24°/36°/60°	27/30/35/4000K	Ra90	2000lm
1175L (DOL)	20W	1-10V Knob	D75*H179	15°/24°/36°/60°	27/30/35/4000K	Ra90	2000lm
1175L (DAI)	20W	DALI	D75*H179	15°/24°/36°/60°	27/30/35/4000K	Ra90	2000lm



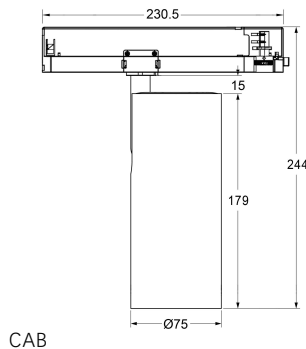
● Input voltage: AC220~240V ● Housing color: White or Black



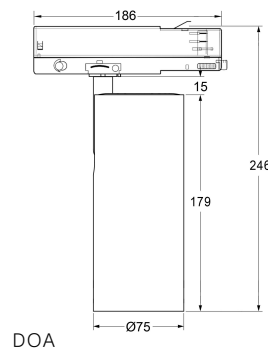
# 175L, Integrated Adapter Type, External Driver Box Type



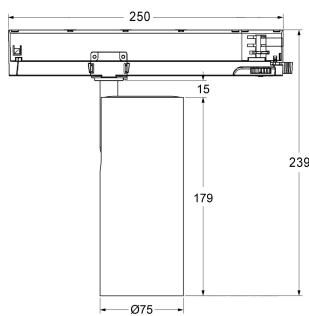
INT



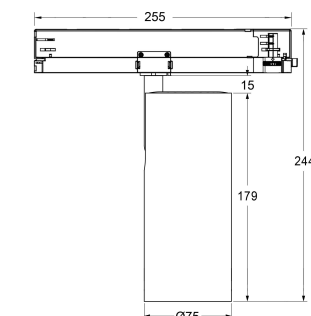
CAB



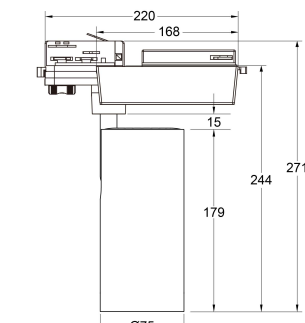
DOA



TRI



DAB



RFC, CAC

Model No.	Watt	Control	Dimension	Beam angle	Color temp.	CRI	Lumen
1175L (INT)	25W	No-Dim	D75*H179	15°/24°/36°/60°	27/30/35/4000K	Ra90	2500lm
1175L (TRI)	25W	Triac Dim	D75*H179	15°/24°/36°/60°	27/30/35/4000K	Ra90	2500lm
1175L (DOA)	25W	1-10V Knob	D75*H179	15°/24°/36°/60°	27/30/35/4000K	Ra90	2500lm
1175L (CAB)	25W	CASAMBI	D75*H179	15°/24°/36°/60°	27/30/35/4000K	Ra90	2500lm
1175L (DAB)	25W	DALI, 6 Wire	D75*H179	15°/24°/36°/60°	27/30/35/4000K	Ra90	2500lm
1175A (RFC)	20W	RF 2.4G	D75*H179	15°/24°/36°/60°	2700-5700K	Ra90	1600lm
1175A (CAC)	20W	CASAMBI	D75*H179	15°/24°/36°/60°	2700-5700K	Ra90	1600lm



• Input voltage: AC220-240V • Housing color: White or Black



**1190L Fixed Lens**



15°

24°

36°

60°

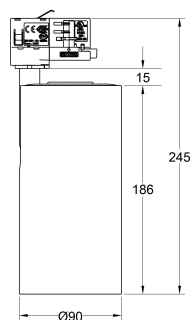
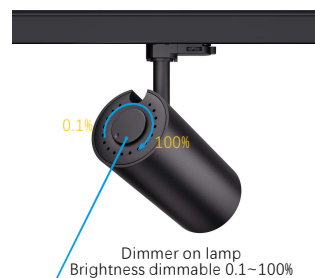


Dimmer on lamp  
brightness 0.1~100%

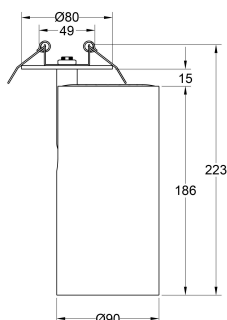


4 beam angle lenses are  
directly interchangeable

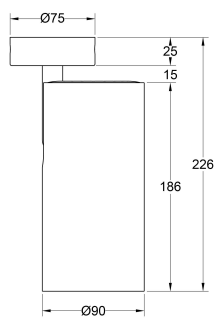
# 1190L, Driver Inside Type



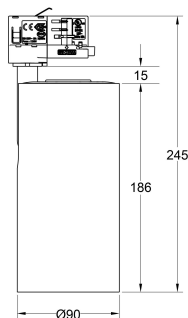
Track



Recessed



Mounted



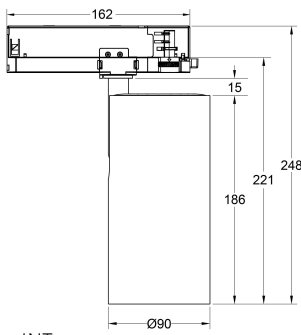
DOL

Model No.	Watt	Control	Dimension	Beam angle	Color temp.	CRI	Lumen
1190L (ONF)	30W	No-Dim	D90*H186	15°/24°/36°/60°	27/30/35/4000K	Ra90	3000lm
1190L (TRB)	30W	Triac	D90*H186	15°/24°/36°/60°	27/30/35/4000K	Ra90	3000lm
1190L (DOL)	30W	1-10V Knob	D90*H186	15°/24°/36°/60°	27/30/35/4000K	Ra90	3000lm
1190L (DAI)	30W	DALI	D90*H186	15°/24°/36°/60°	27/30/35/4000K	Ra90	3000lm

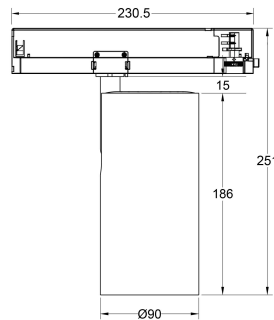


• Input voltage: AC220~240V • Housing color: White or Black

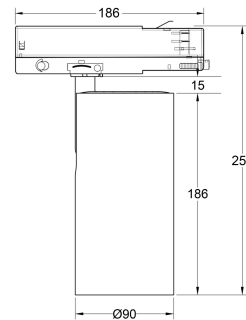
# 190L, Integrated Adapter Type, External Driver Box Type



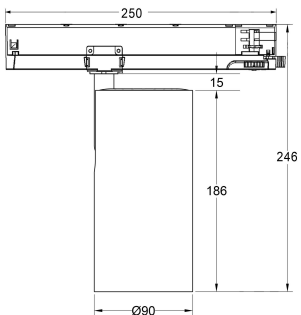
INT



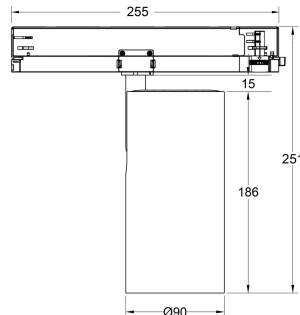
CAB



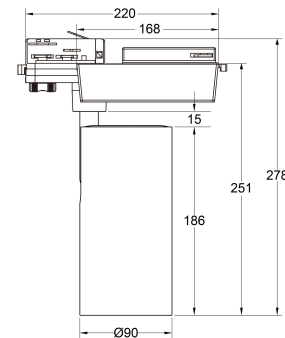
DOA



TRI



DAB



RFC, CAC

Model No.	Watt	Control	Dimension	Beam angle	Color temp.	CRI	Lumen
1190L (INT)	30W	No-Dim	D90*H186	15°/24°/36°/60°	27/30/35/4000K	Ra90	3200lm
1190L (TRI)	30W	Triac Dim	D90*H186	15°/24°/36°/60°	27/30/35/4000K	Ra90	3200lm
1190L (DOA)	30W	1-10V Knob	D90*H186	15°/24°/36°/60°	27/30/35/4000K	Ra90	3200lm
1190L (CAB)	30W	CASAMBI	D90*H186	15°/24°/36°/60°	27/30/35/4000K	Ra90	3200lm
1190L (DAB)	30W	DALI, 6 Wire	D90*H186	15°/24°/36°/60°	27/30/35/4000K	Ra90	3200lm
1190L (RFC)	30W	RF 2.4G	D90*H186	15°/24°/36°/60°	2700-5700K	Ra90	2400lm
1190L (CAC)	30W	CASAMBI	D90*H186	15°/24°/36°/60°	2700-5700K	Ra90	2400lm



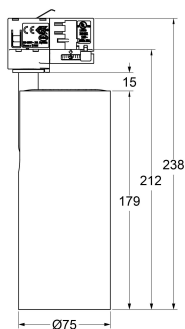
• Input voltage: AC220-240V • Housing color: White or Black



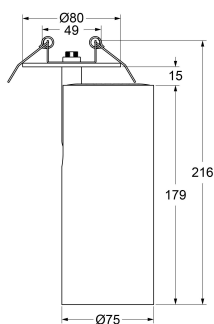
**1175H Alanod Aluminum Reflector**



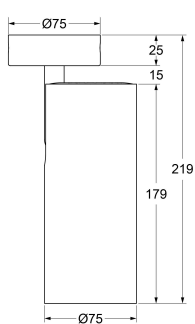
# 1175H, Driver Inside Type



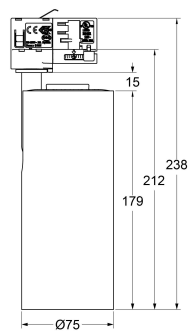
Track



Recessed



Mounted



DOL

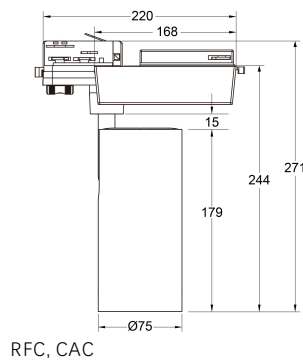
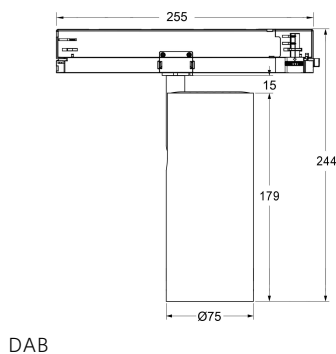
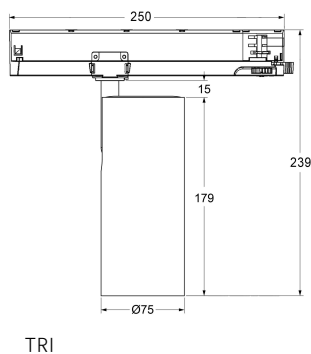
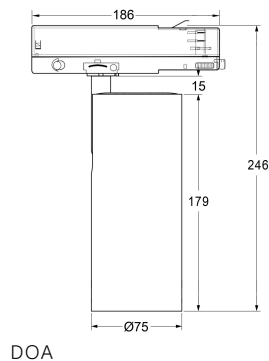
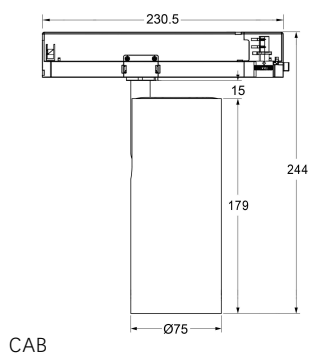
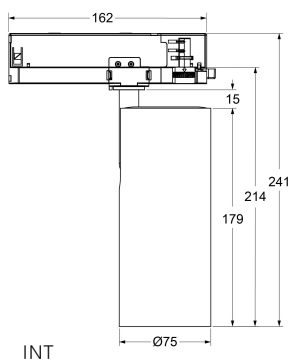
Model No.	Watt	Control	Dimension	Beam angle	Color temp.	CRI	Lumen
1175H (ONF)	20W	No-Dim	D75*H179	20°/38°/60°	27/30/35/4000K	Ra90	2200lm
1175H (TRB)	20W	Triac	D75*H179	20°/38°/60°	27/30/35/4000K	Ra90	2200lm
1175H (DOL)	20W	1-10V Knob	D75*H179	20°/38°/60°	27/30/35/4000K	Ra90	2200lm
1175H (DAI)	20W	DALI	D75*H179	20°/38°/60°	27/30/35/4000K	Ra90	2200lm



• Input voltage: AC220~240V • Housing color: White or Black



# 175H, Integrated Adapter Type, External Driver Box Type



Model No.	Watt	Control	Dimension	Beam angle	Color temp.	CRI	Lumen
1175H (INT)	25W	No-Dim	D75*H179	20°/38°/60°	27/30/35/4000K	Ra90	2700lm
1175H (TRI)	25W	Triac Dim	D75*H179	20°/38°/60°	27/30/35/4000K	Ra90	2700lm
1175H (DOA)	25W	1-10V Knob	D75*H179	20°/38°/60°	27/30/35/4000K	Ra90	2700lm
1175H (CAB)	25W	CASAMBI	D75*H179	20°/38°/60°	27/30/35/4000K	Ra90	2700lm
1175H (DAB)	25W	DALI,6 Wire	D75*H179	20°/38°/60°	27/30/35/4000K	Ra90	2700lm
1175H (RFC)	20W	RF 2.4G	D75*H179	20°/38°/60°	2700~5700K	Ra90	1800lm
1175H (CAC)	20W	CASAMBI	D75*H179	20°/38°/60°	2700~5700K	Ra90	1800lm



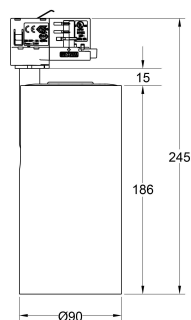
• Input voltage: AC220~240V • Housing color: White or Black



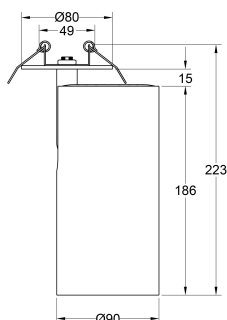
**1190H Alanod Aluminum Reflector**



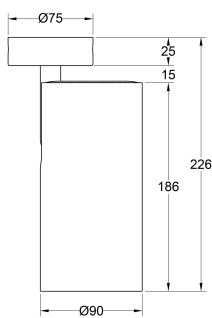
# 1190H, Driver Inside Type



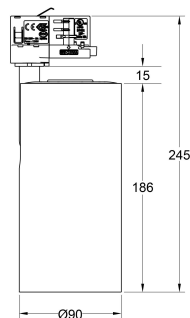
Track



Recessed



Mounted



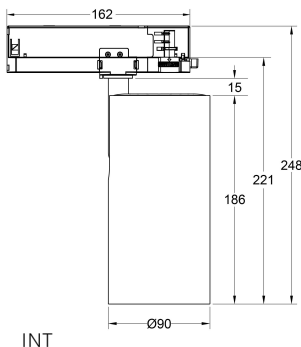
DOL

Model No.	Watt	Control	Dimension	Beam angle	Color temp.	CRI	Lumen
1190H (ONF)	30W	No-Dim	D90*H186	15°/24°/38°/60°	27/30/35/4000K	Ra90	3200lm
1190H (TRB)	30W	Triac	D90*H186	15°/24°/38°/60°	27/30/35/4000K	Ra90	3200lm
1190H (DOL)	30W	1-10V Knob	D90*H186	15°/24°/38°/60°	27/30/35/4000K	Ra90	3200lm
1190H (DAI)	30W	DALI	D90*H186	15°/24°/38°/60°	27/30/35/4000K	Ra90	3200lm

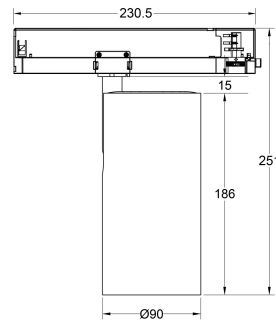


• Input voltage: AC220~240V • Housing color: White or Black

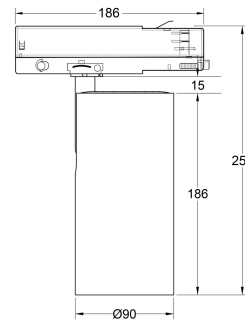
# 190H, Integrated Adapter Type, External Driver Box Type



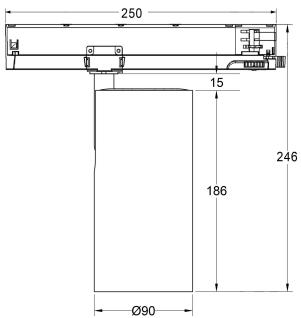
INT



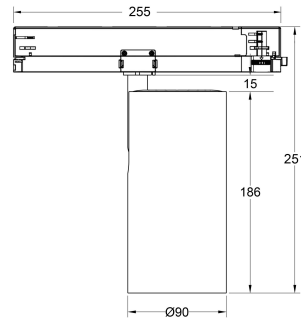
CAB



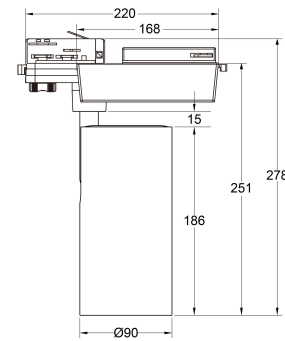
DOA



TRI



DAB



RFC, CAC

Model No.	Watt	Control	Dimension	Beam angle	Color temp.	CRI	Lumen
1190H (INT)	30W	No-Dim	D90*H186	15°/24°/38°/60°	27/30/35/4000K	Ra90	3400lm
1190H (TRI)	30W	Triac Dim	D90*H186	15°/24°/38°/60°	27/30/35/4000K	Ra90	3400lm
1190H (DOA)	30W	1-10V Knob	D90*H186	15°/24°/38°/60°	27/30/35/4000K	Ra90	3400lm
1190H (CAB)	30W	CASAMBI	D90*H186	15°/24°/38°/60°	27/30/35/4000K	Ra90	3400lm
1190H (DAB)	30W	DALI, 6 Wire	D90*H186	15°/24°/38°/60°	27/30/35/4000K	Ra90	3400lm
1190H (RFC)	30W	RF 2.4G	D90*H186	15°/24°/38°/60°	2700-5700K	Ra90	2600lm
1190H (CAC)	30W	CASAMBI	D90*H186	15°/24°/38°/60°	2700-5700K	Ra90	2600lm

• Input voltage: AC220~240V • Housing color: White or Black



# A20, A21 Series Art Gallery Level Lighting

Zoomable



2062A

2090A

Fixed lens



2162L

2190L

Zoom type



Black



Black  
+ Lens cover



Black  
+ Honeycomb



Black  
+ Snoot



Black  
+ Barn door



White



White  
+ Lens cover



White  
+ Honeycomb



White  
+ Snoot



White  
+ Barn door

Fixed lens type



Black



White



White+Black ring



Black+ Honeycomb



White+Honeycomb



White+Black ring  
+Honeycomb

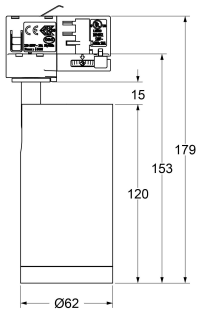
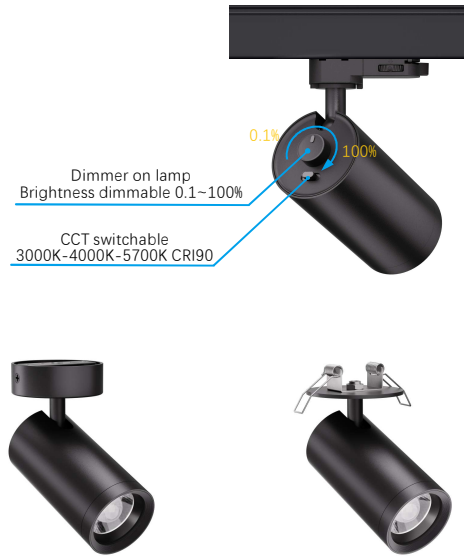


**2062A Zoomable**

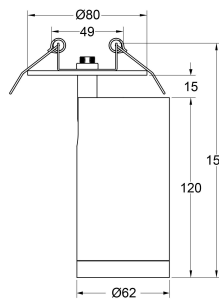




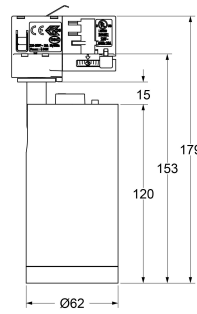
# 2062A, Driver Inside Type



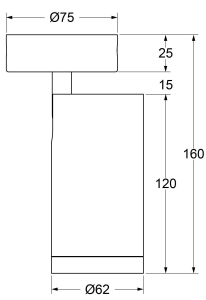
Track



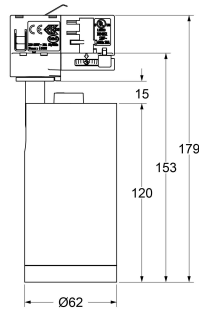
Recessed



DCT



Mounted



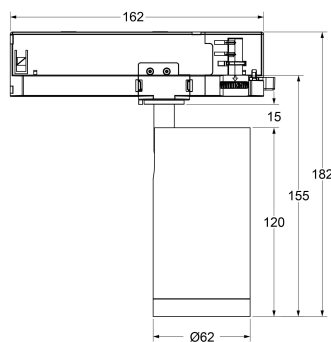
DOL

Model No.	Watt	Control	Dimension	Beam angle	Color temp.	CRI	Lumen
2062A (ONF)	12W	No-Dim	D62*H120	11~50°	27/30/35/4000K	Ra90	850lm
2062A (TRB)	12W	Triac	D62*H120	11~50°	27/30/35/4000K	Ra90	850lm
2062A (DOL)	12W	1-10V Knob	D62*H120	11~50°	27/30/35/4000K	Ra90	850lm
2062A (DCT)	12W	1-10V Knob	D62*H120	11~50°	3000-4000-5700K	Ra90	700lm
2062A (DAI)	12W	DALI	D62*H120	11~50°	27/30/35/4000K	Ra90	850lm

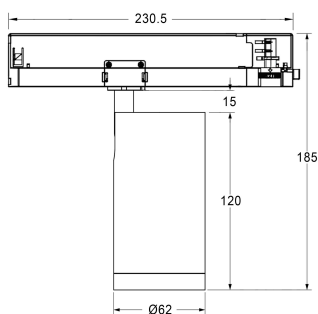


• Input voltage: AC220~240V • Housing color: White or Black

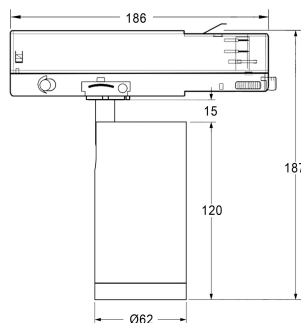
# 2062A, Integrated Adapter Type, External Driver Box Type



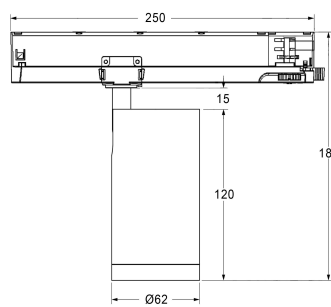
INT



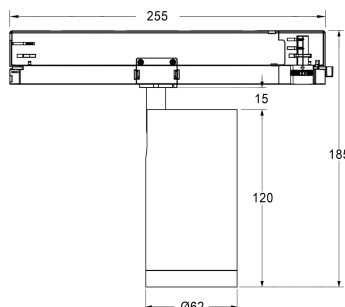
CAB



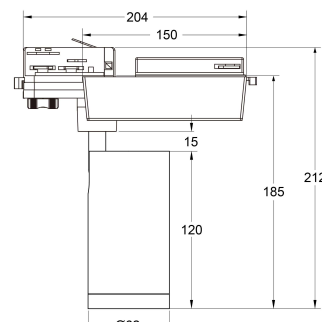
DOA



TRI



DAB



RFC, CAC

Model No.	Watt	Control	Dimension	Beam angle	Color temp.	CRI	Lumen
2062A (INT)	12W	No-Dim	D62*H120	11~50°	27/30/35/4000K	Ra90	920lm
2062A (TRI)	12W	Triac Dim	D62*H120	11~50°	27/30/35/4000K	Ra90	920lm
2062A (DOA)	12W	1-10V Knob	D62*H120	11~50°	27/30/35/4000K	Ra90	920lm
2062A (CAB)	12W	CASAMBI	D62*H120	11~50°	27/30/35/4000K	Ra90	920lm
2062A (DAB)	12W	DALI, 6 Wire	D62*H120	11~50°	27/30/35/4000K	Ra90	920lm
2062A (RFC)	12W	RF 2.4G	D62*H120	11~50°	2700~5700K	Ra90	700lm
2062A (CAC)	12W	CASAMBI	D62*H120	11~50°	2700~5700K	Ra90	700lm



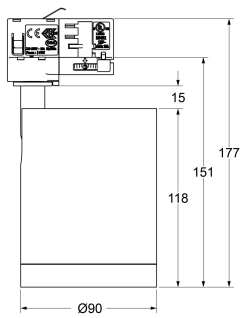
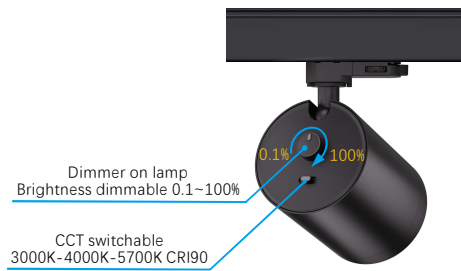
• Input voltage: AC220~240V • Housing color: White or Black



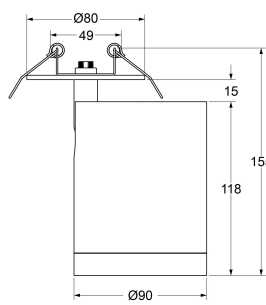
**2090A Zoomable**



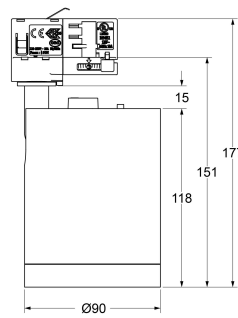
# 2090A, Driver Inside Type



Track



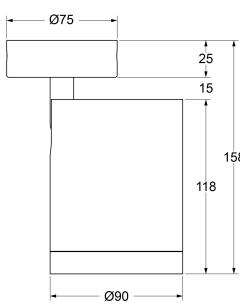
Recessed



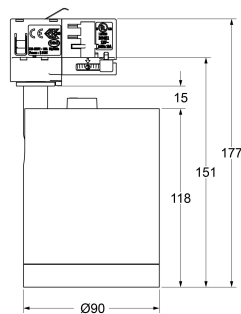
DCT



Zoom 15~60°



Mounted



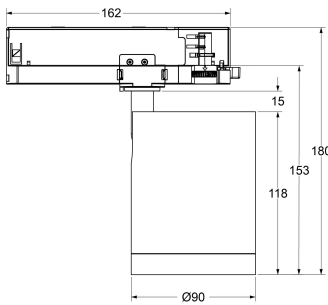
DOL

Model No.	Watt	Control	Dimension	Beam angle	Color temp.	CRI	Lumen
2090A (ONF)	20W	No-Dim	D90*H118	15~60°	27/30/35/4000K	Ra90	1900lm
2090A (TRB)	20W	Triac	D90*H118	15~60°	27/30/35/4000K	Ra90	1900lm
2090A (DOL)	20W	1-10V Knob	D90*H118	15~60°	27/30/35/4000K	Ra90	1900lm
2090A (DCT)	20W	1-10V Knob	D90*H118	15~60°	3000-4000-5700K	Ra90	1900lm
2090A (DAI)	20W	DALI	D90*H118	15~60°	27/30/35/4000K	Ra90	1900lm

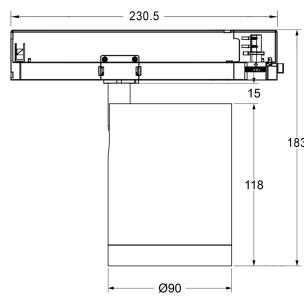


• Input voltage: AC220~240V • Housing color: White or Black

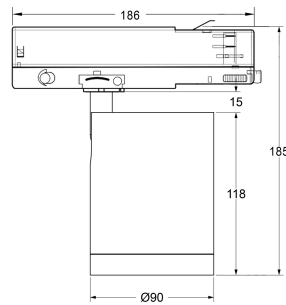
# 2090A, Integrated Adapter Type, External Driver Box Type



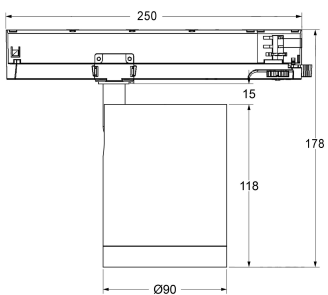
INT



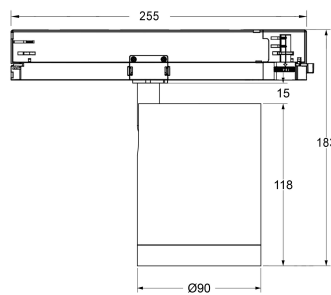
CAB



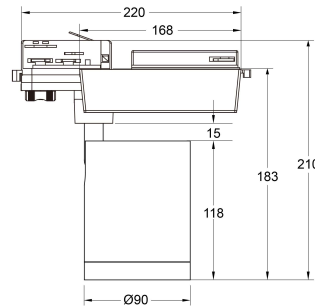
DOA



TRI



DAB



RFC, CAC

Model No.	Watt	Control	Dimension	Beam angle	Color temp.	CRI	Lumen
2090A (INT)	25W	No-Dim	D90*H118	15~60°	27/30/35/4000K	Ra90	2400lm
2090A (TRI)	25W	Triac Dim	D90*H118	15~60°	27/30/35/4000K	Ra90	2400lm
2090A (DOA)	25W	1-10V Knob	D90*H118	15~60°	27/30/35/4000K	Ra90	2400lm
2090A (CAB)	25W	CASAMBI	D90*H118	15~60°	27/30/35/4000K	Ra90	2400lm
2090A (DAB)	25W	DALI, 6 Wire	D90*H118	15~60°	27/30/35/4000K	Ra90	2400lm
2090A (RFC)	20W	RF 2.4G	D90*H118	15~60°	2700~5700K	Ra90	1500lm
2090A (CAC)	20W	CASAMBI	D90*H118	15~60°	2700~5700K	Ra90	1500lm

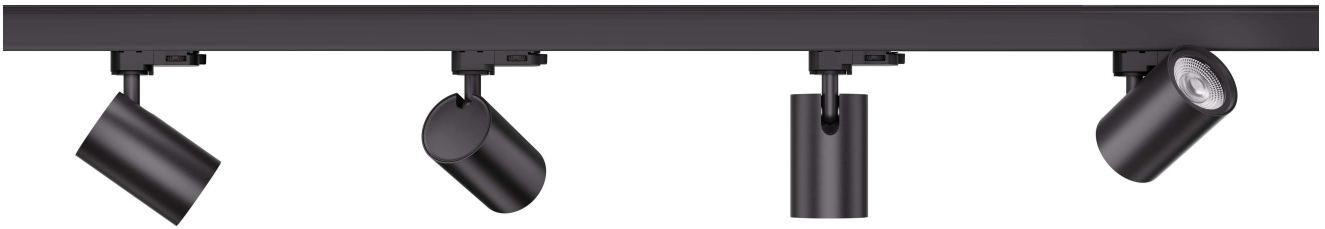


• Input voltage: AC220~240V • Housing color: White or Black



**2162L Fixed Lens**





15°



24°



36°



60°



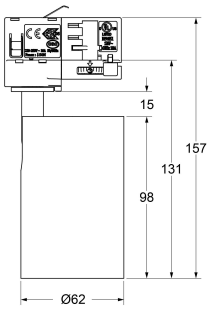
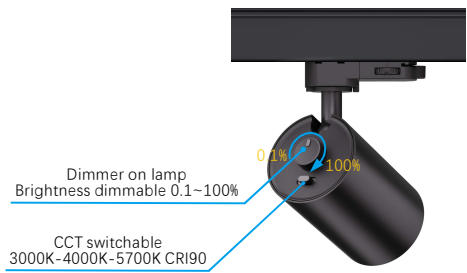
4 beam angle lenses are directly interchangeable

Dimmer on lamp  
brightness 0.1~100%

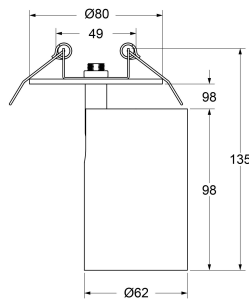
CCT switchable  
3000K-4000K-5700K CRI90



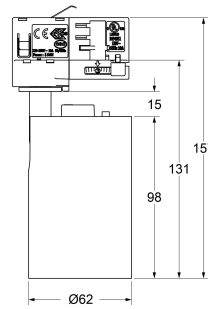
# 2162L, Driver Inside Type



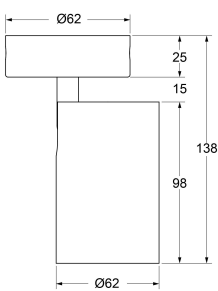
Track



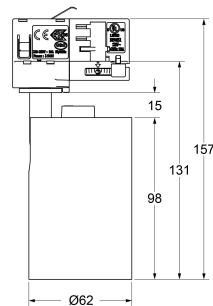
Recessed



DCT



Mounted



DOL

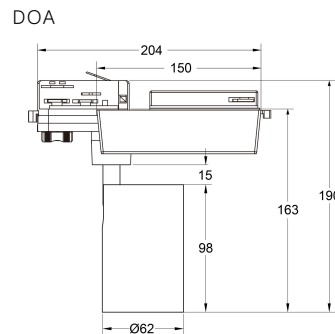
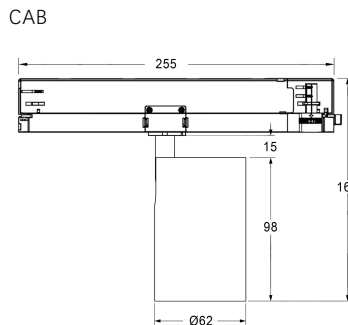
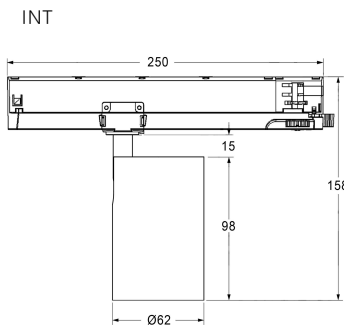
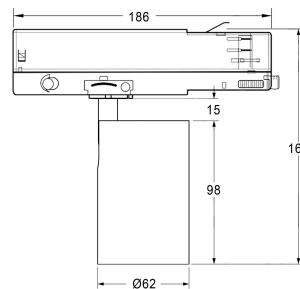
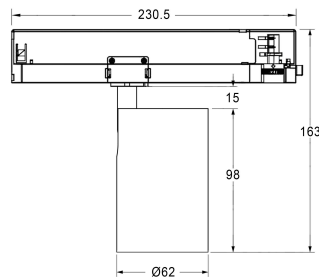
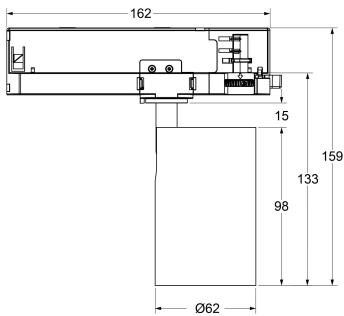


Model No.	Watt	Control	Dimension	Beam angle	Color temp.	CRI	Lumen
2162L (ONF)	12W	No-Dim	D62*H98	15°/24°/36°/60°	27/30/35/4000K	Ra90	1000lm
2162L (TRB)	12W	Triac	D62*H98	15°/24°/36°/60°	27/30/35/4000K	Ra90	1000lm
2162L (DOL)	12W	1-10V Knob	D62*H98	15°/24°/36°/60°	27/30/35/4000K	Ra90	1000lm
2162L (DCT)	12W	1-10V Knob	D62*H98	15°/24°/36°/60°	3000-4000-5700K	Ra90	1000lm
2162L (DTW)	12W	Triac	D62*H98	15°/24°/36°/60°	3000K to 2000K	Ra90	800lm
2162L (DAI)	12W	DALI	D62*H98	15°/24°/36°/60°	27/30/35/4000K	Ra90	1000lm



• Input voltage: AC220~240V • Housing color: White or Black

# 2162L, Integrated Adapter Type, External Driver Box Type



TRI

DAB

RFC, CAC

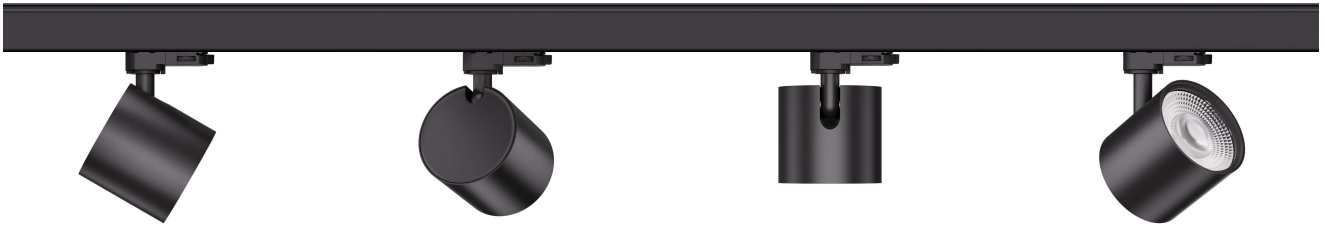
Model No.	Watt	Control	Dimension	Beam angle	Color temp.	CRI	Lumen
2162L (INT)	12W	No-Dim	D62*H98	15°/24°/36°/60°	27/30/35/4000K	Ra90	1100lm
2162L (TRI)	12W	Triac Dim	D62*H98	15°/24°/36°/60°	27/30/35/4000K	Ra90	1100lm
2162L (DOA)	12W	1-10V Knob	D62*H98	15°/24°/36°/60°	27/30/35/4000K	Ra90	1100lm
2162L (CAB)	12W	CASAMBI	D62*H98	15°/24°/36°/60°	27/30/35/4000K	Ra90	1100lm
2162L (DAB)	12W	DALI, 6 Wire	D62*H98	15°/24°/36°/60°	27/30/35/4000K	Ra90	1100lm
2162L (RFC)	12W	RF 2.4G	D62*H98	15°/24°/36°/60°	2700~5700K	Ra90	800lm
2162L (CAC)	12W	CASAMBI	D62*H98	15°/24°/36°/60°	2700~5700K	Ra90	800lm



● Input voltage: AC220~240V ● Housing color: White or Black



**2190L Fixed Lens**



15°



24°



36°



60°



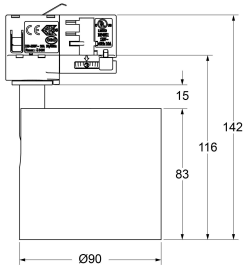
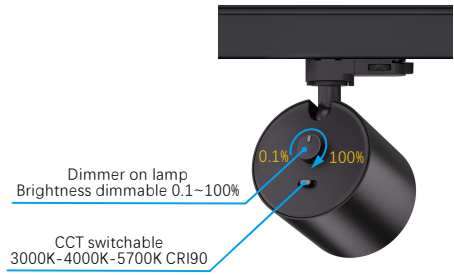
4 beam angle lenses are directly interchangeable

Dimmer on lamp  
brightness 0.1~100%

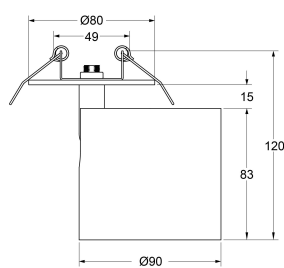
CCT switchable  
3000K-4000K-5700K CRI90



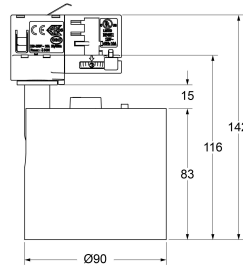
# 2190L, Driver Inside Type



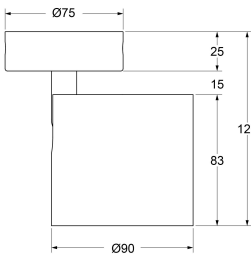
Track



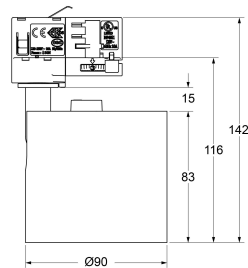
Recessed



DCT



Mounted



DOL

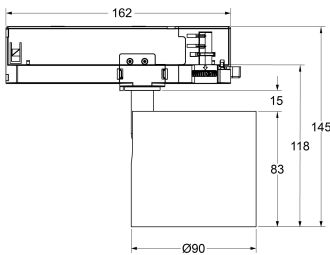


Model No.	Watt	Control	Dimension	Beam angle	Color temp.	CRI	Lumen
2190L (ONF)	20W	No-Dim	D90*H83	15°/24°/36°/60°	27/30/35/4000K	Ra90	2000lm
2190L (TRB)	20W	Triac	D90*H83	15°/24°/36°/60°	27/30/35/4000K	Ra90	2000lm
2190L (DOL)	20W	1-10V Knob	D90*H83	15°/24°/36°/60°	27/30/35/4000K	Ra90	2000lm
2190L (DCT)	20W	1-10V Knob	D90*H83	15°/24°/36°/60°	3000-4000-5700K	Ra90	2000lm
2190L (DAI)	20W	DALI	D90*H83	15°/24°/36°/60°	27/30/35/4000K	Ra90	2000lm

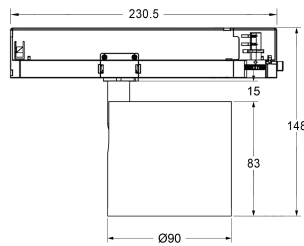


• Input voltage: AC220~240V • Housing color: White or Black

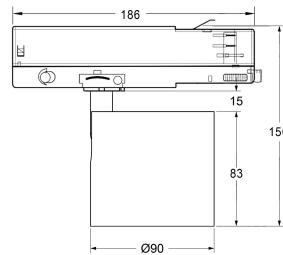
# 2190L, Integrated Adapter Type, External Driver Box Type



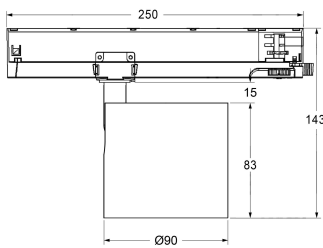
INT



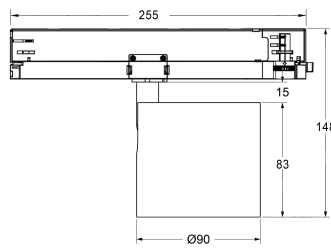
CAB



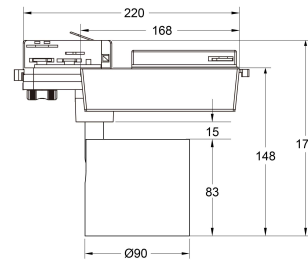
DOA



TRI



DAB



RFC, CAC

Model No.	Watt	Control	Dimension	Beam angle	Color temp.	CRI	Lumen
2190L (INT)	25W	No-Dim	D90*H83	15°/24°/36°/60°	27/30/35/4000K	Ra90	2500lm
2190L (TRI)	25W	Triac Dim	D90*H83	15°/24°/36°/60°	27/30/35/4000K	Ra90	2500lm
2190L (DOA)	25W	1-10V Knob	D90*H83	15°/24°/36°/60°	27/30/35/4000K	Ra90	2500lm
2190L (CAB)	25W	CASAMBI	D90*H83	15°/24°/36°/60°	27/30/35/4000K	Ra90	2500lm
2190L (DAB)	25W	DALI, 6 Wire	D90*H83	15°/24°/36°/60°	27/30/35/4000K	Ra90	2500lm
2190L (RFC)	20W	RF 2.4G	D90*H83	15°/24°/36°/60°	2700~5700K	Ra90	1600lm
2190L (CAC)	20W	CASAMBI	D90*H83	15°/24°/36°/60°	2700~5700K	Ra90	1600lm

● Input voltage: AC220~240V ● Housing color: White or Black



# Series Spotlight

D40B



D50B



D55B



D40C



D50C



D90A



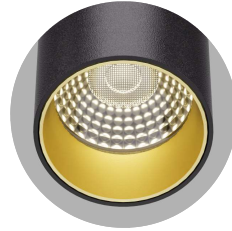




Black



Black+ Honeycomb



Black+Gold ring



Black+Gold ring  
+Honeycomb



White



White+Black ring



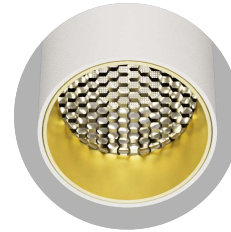
White+Gold ring



White+Honeycomb



White+Black ring  
+Honeycomb



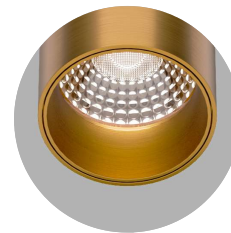
White+Gold ring  
+Honeycomb



Mirror Chrome



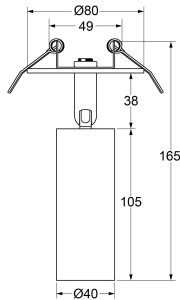
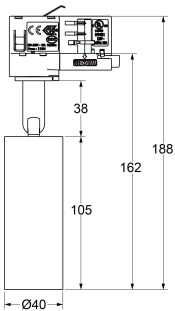
Brushed Nickel



Brushed Bronze

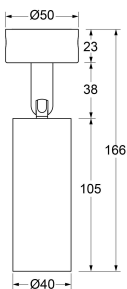
D40B 6W





Track

Recessed



Mounted



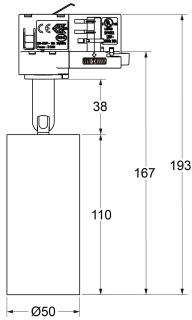
Model No.	Watt	Control	Dimension	Beam angle	Color temp.	CRI	Lumen
0140B (ONF)	6W	No-Dim	D40*H105	15°/24°/36°/50°	27/30/35/4000K	Ra90	500lm
0140B (TRB)	6W	Triac	D40*H105	15°/24°/36°/50°	27/30/35/4000K	Ra90	500lm
0140B (DTW)	6W	Triac	D40*H105	15°/24°/36°/50°	3000K to 2000K	Ra90	400lm



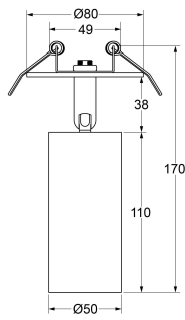
• Input voltage: AC220~240V • Housing color: White or Black

# D50B 10W

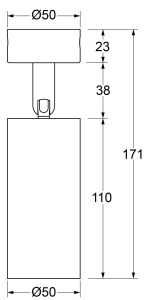




Track



Recessed



Mounted



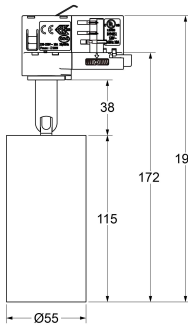
Model No.	Watt	Control	Dimension	Beam angle	Color temp.	CRI	Lumen
0150B (ONF)	10W	No-Dim	D50*H110	15°/24°/36°/50°	27/30/35/4000K	Ra90	850lm
0150B (TRB)	10W	Triac	D50*H110	15°/24°/36°/50°	27/30/35/4000K	Ra90	850lm
0150B (DTW)	10W	Triac	D50*H110	15°/24°/36°/50°	3000K to 2000K	Ra90	680lm



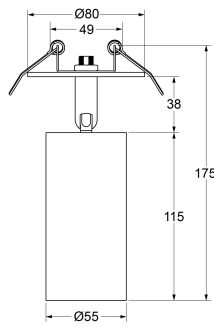
• Input voltage: AC220~240V • Housing color: White or Black

D55B 12W

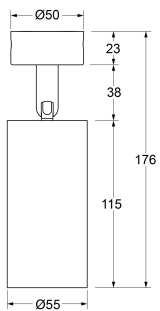




Track



Recessed



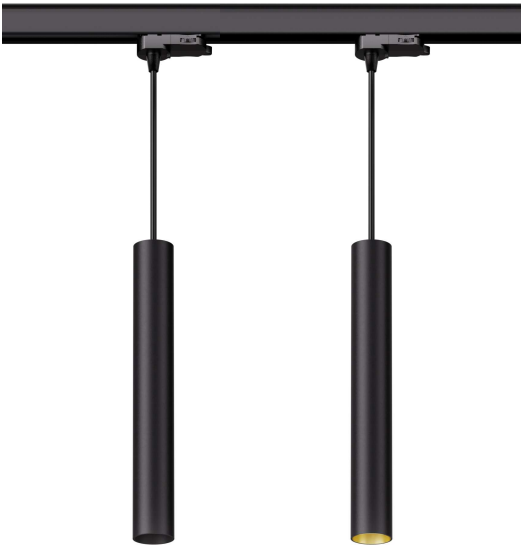
Mounted

Model No.	Watt	Control	Dimension	Beam angle	Color temp.	CRI	Lumen
0155B (ONF)	12W	No-Dim	D55*H115	15°/24°/36°/50°	27/30/35/4000K	Ra90	1050lm
0155B (TRB)	12W	Triac	D55*H115	15°/24°/36°/50°	27/30/35/4000K	Ra90	1050lm
0155B (DTW)	12W	Triac	D55*H115	15°/24°/36°/50°	3000K to 2000K	Ra90	850lm

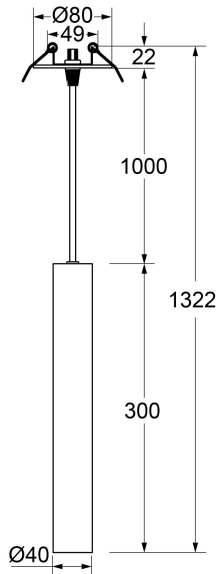
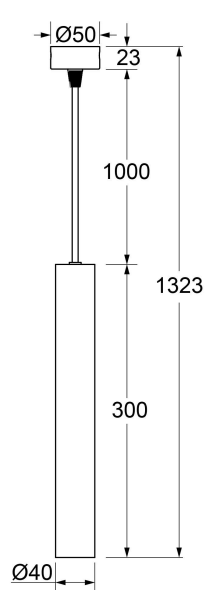
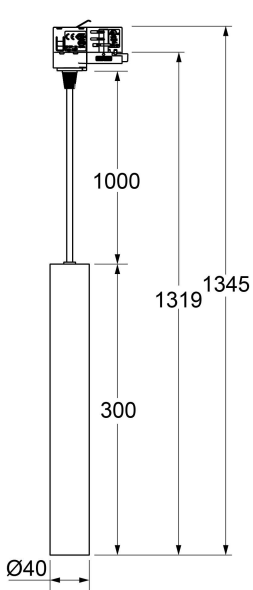


• Input voltage: AC220~240V • Housing color: White or Black

D40C 6W







Track

Mounted

Recessed

Model No.	Watt	Control	Dimension	Beam angle	Color temp.	CRI	Lumen
0140C (ONF)	6W	No-Dim	D40*H300	15°/24°/36°/50°	27/30/35/4000K	Ra90	500lm
0140C (TRB)	6W	Triac	D40*H300	15°/24°/36°/50°	27/30/35/4000K	Ra90	500lm
0140C (DTW)	6W	Triac	D40*H300	15°/24°/36°/50°	3000K to 2000K	Ra90	400lm



• Input voltage: AC220~240V • Housing color: White or Black

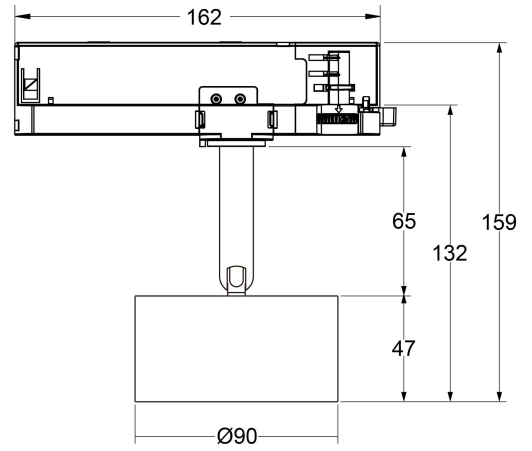
D50C 10W





D90A 20W





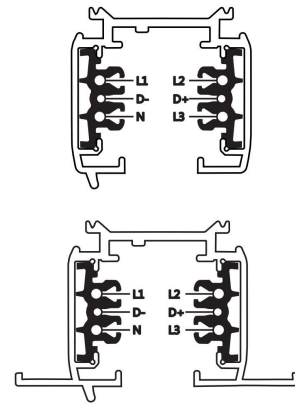
Model No.	Watt	Control	Dimension	Beam angle	Color temp.	CRI	Lumen
0190A (ONF)	20W	No-Dim	D90*H47	15°/20°/36°/60°	27/30/35/4000K	Ra90	1800lm
0190A (TRB)	20W	Triac	D90*H47	15°/20°/36°/60°	27/30/35/4000K	Ra90	1800lm



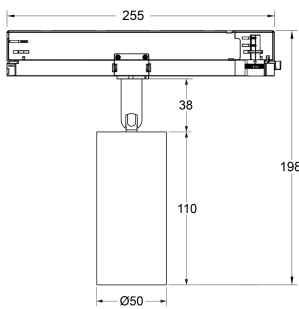
• Input voltage: AC220~240V • Housing color: White or Black

# DALI

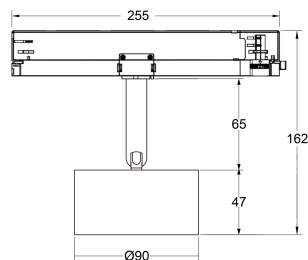




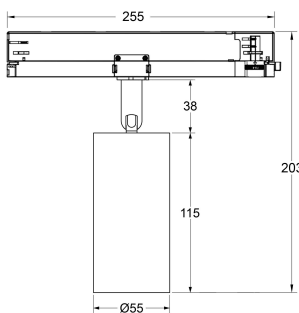
DALI control by 6 wires 3-phase track system



D50



D90



D55



DALI controller



Model No.	Watt	Control	Dimension	Beam angle	Color temp.	CRI	Lumen
0150B (DAB)	12W	DALI, 6 Wire	D50*H110	15°/24°/36°/50°	27/30/35/4000K	Ra90	1050lm
0155B (DAB)	15W	DALI, 6 Wire	D55*H115	15°/24°/36°/50°	27/30/35/4000K	Ra90	1250lm
0190A (DAB)	20W	DALI, 6 Wire	D90*H47	15°/20°/36°/60°	27/30/35/4000K	Ra90	1800lm



● Input voltage: AC220~240V ● Housing color: White or Black

# Winner Series Track Light

High Cost-effective

W1

W2

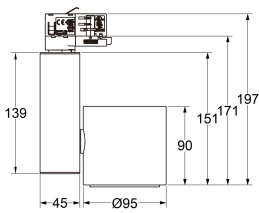
W3

W12

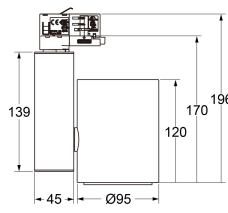




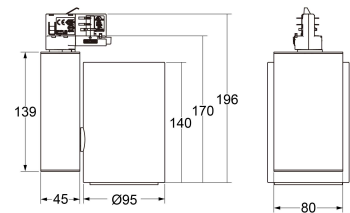
# Winner series: 30W 35W 45W



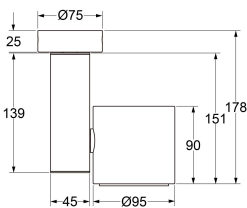
Track 30W



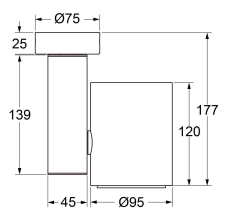
Track 35W



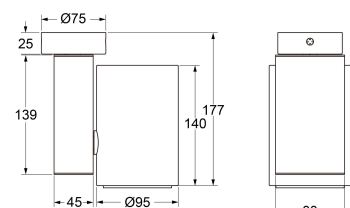
Track 45W



Mounted 30W



Mounted 35W



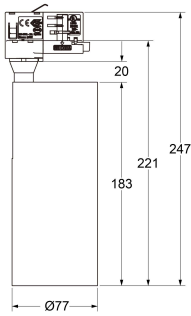
Mounted 45W

Model No.	Watt	Control	Dimension	Beam angle	Color temp.	CRI	Lumen
130A	30W	NO-Dim	D95*H90	15°/24°/36°/60°	27/30/40/5000K	Ra90	2800lm
130B	30W	NO-Dim	D95*H90	15°/24°/36°/60°	27/30/40/5000K	Ra90	2900lm
130C	30W	NO-Dim	D95*H90	15°/24°/36°/60°	27/30/40/5000K	Ra90	2900lm
135C	35W	NO-Dim	D95*H120	15°/24°/36°/60°	27/30/40/5000K	Ra90	3500lm
145C	45W	NO-Dim	D95*H140	15°/24°/36°/60°	27/30/40/5000K	Ra90	4200lm

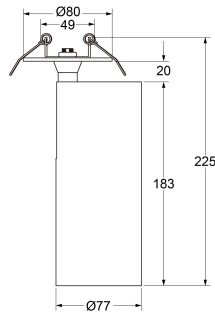


• Input voltage: AC220~240V • Housing color: White or Black

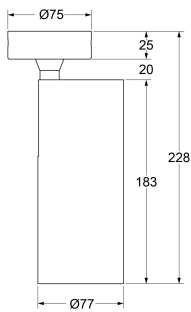
# Winner series: 25W



Track



Recessed



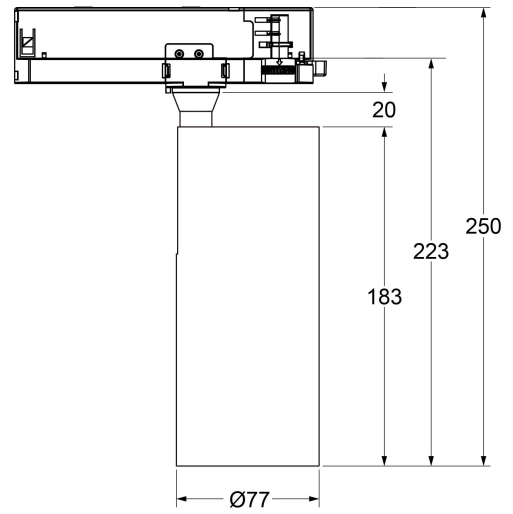
Mounted

Model No.	Watt	Control	Dimension	Beam angle	Color temp.	CRI	Lumen
225A	25W	NO-Dim	D77*H183	15°/24°/36°/50°	27/30/40/5000K	Ra90	2400lm
225B	25W	NO-Dim	D77*H183	15°/24°/36°/50°	27/30/40/5000K	Ra90	2500lm
225C	25W	NO-Dim	D77*H183	15°/24°/36°/50°	27/30/40/5000K	Ra90	2500lm



● Input voltage: AC220~240V ● Housing color: White or Black

# Winner series: 30W

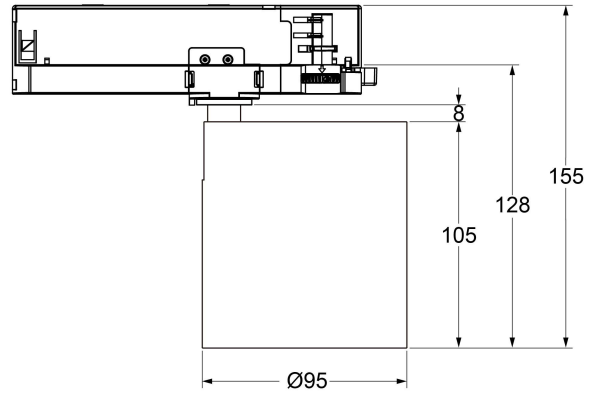


Model No.	Watt	Control	Dimension	Beam angle	Color temp.	CRI	Lumen
230A	30W	NO-Dim	D77*H183	15°/24°/36°/50°	27/30/40/5000K	Ra90	2900lm
230B	30W	NO-Dim	D77*H183	15°/24°/36°/50°	27/30/40/5000K	Ra90	3000lm
230C	30W	NO-Dim	D77*H183	15°/24°/36°/50°	27/30/40/5000K	Ra90	3000lm



• Input voltage: AC220~240V • Housing color: White or Black

## Winner series: 32W

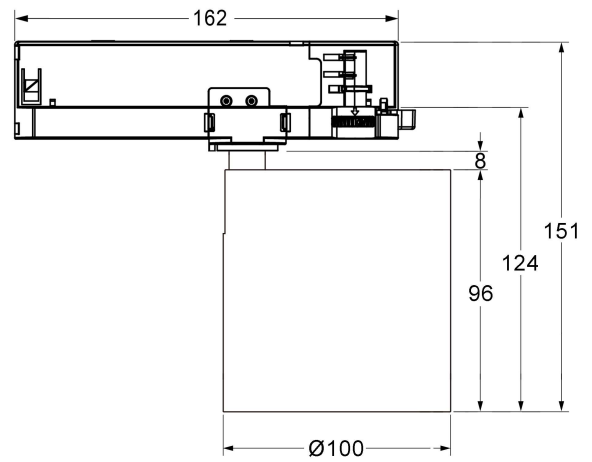


Model No.	Watt	Control	Dimension	Beam angle	Color temp.	CRI	Lumen
332A	32W	NO-Dim	D95*H105	15°/24°/36°/60°	27/30/40/5000K	Ra90	3000lm
332B	32W	NO-Dim	D95*H105	15°/24°/36°/60°	27/30/40/5000K	Ra90	3100lm
332C	32W	NO-Dim	D95*H105	15°/24°/36°/60°	27/30/40/5000K	Ra90	3100lm



● Input voltage: AC220~240V ● Housing color: White or Black

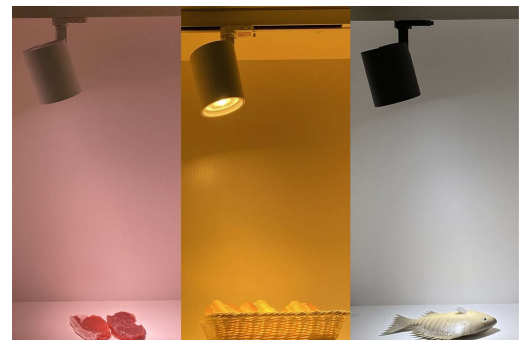
# Winner series



Aluminum Reflector.  
 VS LED driver and LED chip inside.  
 High brightness efficiency, more energy saving.  
 940 4000K CRI90, 110-125lm/W.  
 25W 3100lm, 30W 3700lm, 36W 4000lm.



Food Lighting:  
 ME1, ME2: for meat lighting  
 BR: for bread lighting  
 FS: for fish lighting

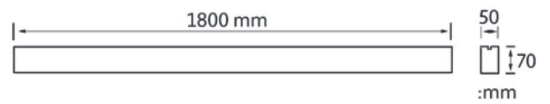
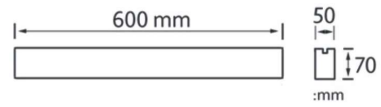


Model No.	Watt	Control	Dimension	Beam angle	Color temp.	CRI	Lumen
12100A (ONF)	25W	NO-Dim	D100*H96	15°/24°/36°/60°	30/40/5000K	Ra90	28/31/3200lm
12100A (DAB)	25W	DALI, 6 Wire	D100*H96	15°/24°/36°/60°	30/40/5000K	Ra90	28/31/3200lm
12100A (ONF)	30W	NO-Dim	D100*H96	15°/24°/36°/60°	30/40/5000K	Ra90	34/37/3800lm
12100A (DAB)	30W	DALI, 6 Wire	D100*H96	15°/24°/36°/60°	30/40/5000K	Ra90	34/37/3800lm
12100A (BR)	30W	NO-Dim	D100*H96	15°/24°/36°/60°	2400K	Ra90	2700lm
12100A (ME1)	30W	NO-Dim	D100*H96	15°/24°/36°/60°	3200K	Ra70	1700lm
12100A (ME2)	30W	NO-Dim	D100*H96	15°/24°/36°/60°	1900K	Ra80	1700lm
12100A (FS)	30W	NO-Dim	D100*H96	15°/24°/36°/60°	7000K	Ra90	3800lm
12100A (ONF)	36W	NO-Dim	D100*H96	15°/24°/36°/60°	30/40/5000K	Ra80	37/40/4100lm
12100A (DAB)	36W	DALI, 6 Wire	D100*H96	15°/24°/36°/60°	30/40/5000K	Ra90	37/40/4100lm

• Input voltage: AC220~240V • Housing color: White or Black



# Linear Light Series: Track Adapter Type

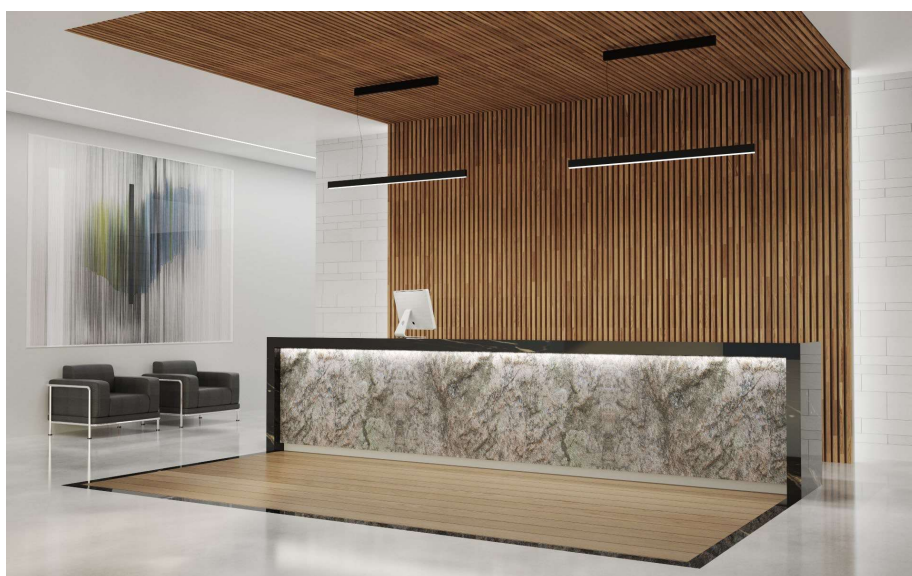
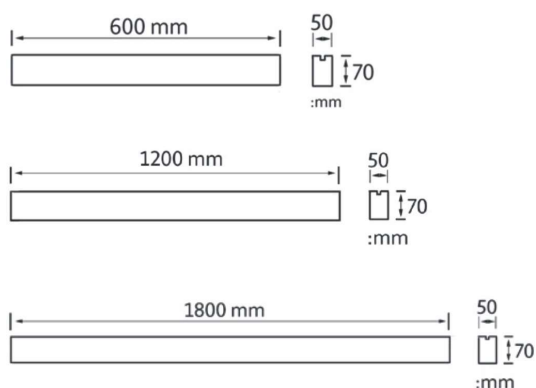


Model No.	Watt	Control	Dimension	Beam angle	Color temp.	CRI	Lumen
20W5712T (PH)	20W	NO-Dim	L600*W50*H70	100°	30/40/50/5700K	Ra90	1800lm
25W5712T (PH)	25W	NO-Dim	L600*W50*H70	100°	30/40/50/5700K	Ra90	2000lm
40W5712T (PH)	40W	NO-Dim	L1200*W50*H70	100°	30/40/50/5700K	Ra90	3600lm
60W5712T (PH)	60W	NO-Dim	L1800*W50*H70	100°	30/40/50/5700K	Ra90	4800lm
25W5712T (RFB)	25W	RF 2.4G	L600*W50*H70	100°	30/40/50/5700K	Ra90	2000lm
40W5712T (RFB)	40W	RF 2.4G	L1200*W50*H70	100°	30/40/50/5700K	Ra90	3600lm
25W5712T (RFC)	25W	RF 2.4G	L600*W50*H70	100°	3000-5700K	Ra90	2000lm
40W5712T (RFC)	40W	RF 2.4G	L1200*W50*H70	100°	3000-5700K	Ra90	3600lm
20W5712T (DAB)	20W	DALI	L600*W50*H70	100°	30/40/50/5700K	Ra90	1800lm
40W5712T (DAB)	40W	DALI	L1200*W50*H70	100°	30/40/50/5700K	Ra90	3600lm
60W5712T (DAB)	60W	DALI	L1800*W50*H70	100°	30/40/50/5700K	Ra90	5400lm



• Input voltage: AC220~240V • Housing color: White or Black

# Linear Light Series: Pendant Type

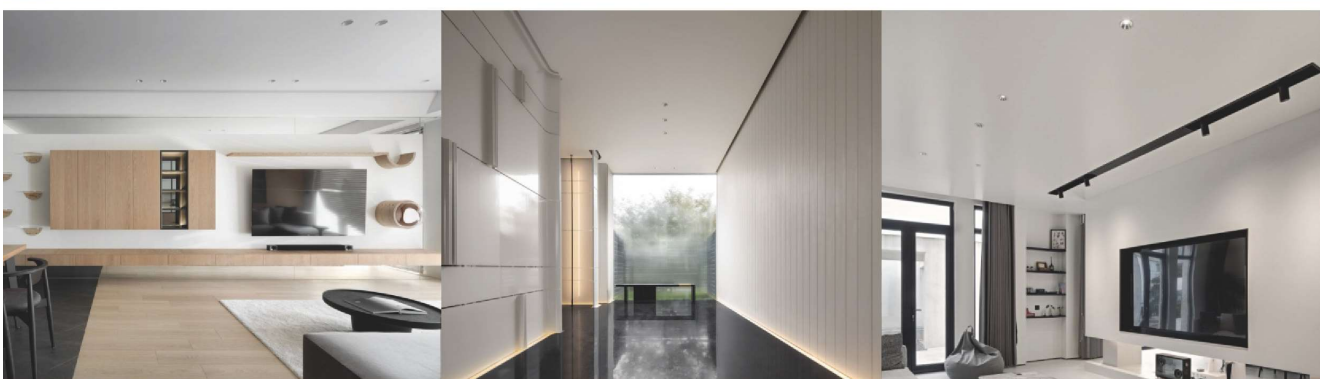
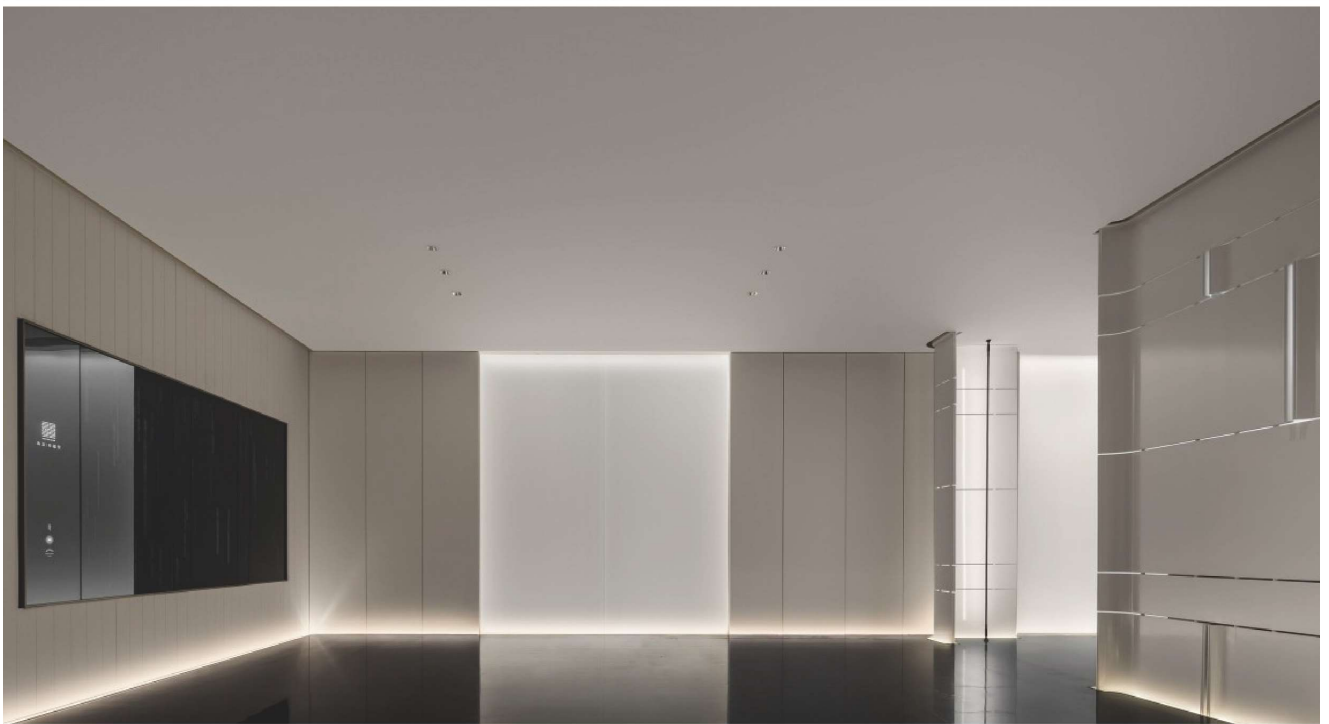


Model No.	Watt	Control	Dimension	Beam angle	Color temp.	CRI	Lumen
20W5712H (PH)	20W	NO-Dim	L600*W50*H70	100°	30/40/50/5700K	Ra90	1800lm
25W5712H (PH)	25W	NO-Dim	L600*W50*H70	100°	30/40/50/5700K	Ra90	2000lm
40W5712H (PH)	40W	NO-Dim	L1200*W50*H70	100°	30/40/50/5700K	Ra90	3600lm
60W5712H (PH)	60W	NO-Dim	L1800*W50*H70	100°	30/40/50/5700K	Ra90	4800lm
25W5712H (RFB)	25W	RF 2.4G	L600*W50*H70	100°	30/40/50/5700K	Ra90	2000lm
40W5712H (RFB)	40W	RF 2.4G	L1200*W50*H70	100°	30/40/50/5700K	Ra90	3600lm
25W5712H (RFC)	25W	RF 2.4G	L600*W50*H70	100°	3000-5700K	Ra90	2000lm
40W5712H (RFC)	40W	RF 2.4G	L1200*W50*H70	100°	3000-5700K	Ra90	3600lm
20W5712H (DAB)	20W	DALI	L600*W50*H70	100°	30/40/50/5700K	Ra90	1800lm
40W5712H (DAB)	40W	DALI	L1200*W50*H70	100°	30/40/50/5700K	Ra90	3600lm
60W5712H (DAB)	60W	DALI	L1800*W50*H70	100°	30/40/50/5700K	Ra90	5400lm



• Input voltage: AC220-240V • Housing color: White or Black

# Downlight Series





Down 01 Series



Down 02 Series: Cut out 55, 75, 95 mm



Down 03 Series: Surface Mounted Downlight



Down 04 Series: SMD Downlight



Down 05 Series: IP54 Downlight

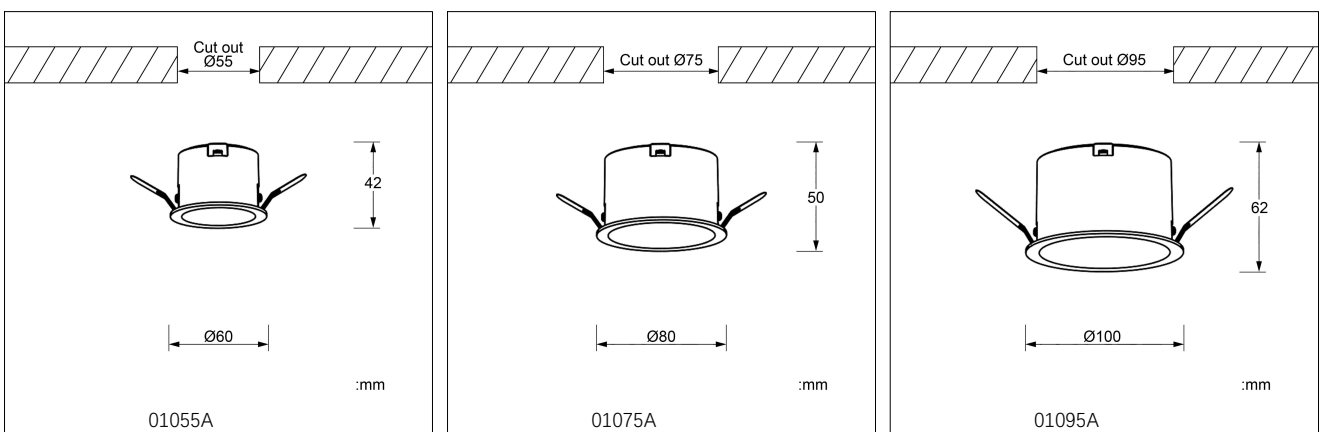


# Down 01 Series

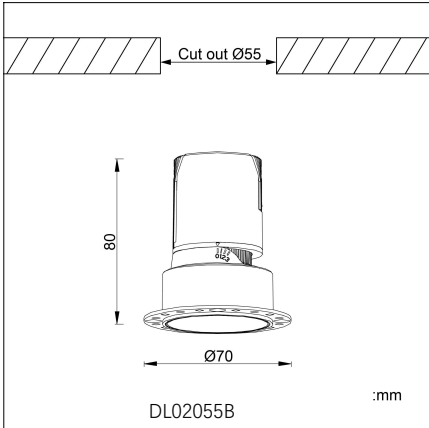
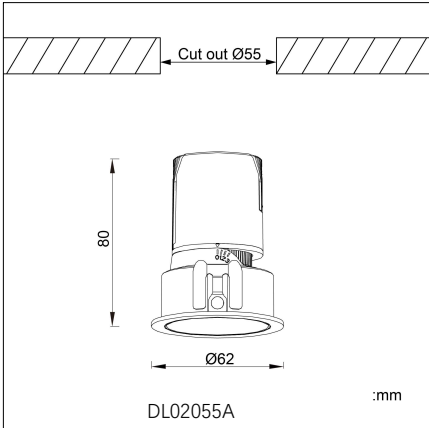


Model No.	Watt	Control	Dimension	Cut out	Beam angle	Color temp.	CRI	Lumen
01055A (ONF)	6W	NO-Dim	D60*H42	Ø55 mm	15°/24°/36°/50°	27/30/35/4000K	Ra90	550lm
01055A (TRB)	6W	Triac	D60*H42	Ø55 mm	15°/24°/36°/50°	27/30/35/4000K	Ra90	550lm
01055A (DAB)	6W	DALI	D60*H42	Ø55 mm	15°/24°/36°/50°	27/30/35/4000K	Ra90	550lm
01055A (DAC)	6W	DALI	D60*H42	Ø55 mm	15°/24°/36°/50°	2700~5700K	Ra90	450lm
01055A (RFC)	6W	RF 2.4G	D60*H42	Ø55 mm	15°/24°/36°/50°	2700~5700K	Ra90	450lm
01075A (ONF)	10W	NO-Dim	D80*H50	Ø75 mm	15°/24°/36°/50°	27/30/35/4000K	Ra90	1050lm
01075A (TRB)	10W	Triac	D80*H50	Ø75 mm	15°/24°/36°/50°	27/30/35/4000K	Ra90	1050lm
01075A (DAB)	10W	DALI	D80*H50	Ø75 mm	15°/24°/36°/50°	27/30/35/4000K	Ra90	1050lm
01075A (DAC)	10W	DALI	D80*H50	Ø75 mm	15°/24°/36°/50°	2700~5700K	Ra90	850lm
01075A (RFC)	10W	RF 2.4G	D80*H50	Ø75 mm	15°/24°/36°/50°	2700~5700K	Ra90	850lm
01095A (ONF15)	15W	NO-Dim	D100*H62	Ø95 mm	15°/24°/36°/50°	27/30/35/4000K	Ra90	1500lm
01095A (TRB15)	15W	Triac	D100*H62	Ø95 mm	15°/24°/36°/50°	27/30/35/4000K	Ra90	1500lm
01095A (DAB15)	15W	DALI	D100*H62	Ø95 mm	15°/24°/36°/50°	27/30/35/4000K	Ra90	1100lm
01095A (DAC15)	15W	DALI	D100*H62	Ø95 mm	15°/24°/36°/50°	2700~5700K	Ra90	1100lm
01095A (ONF20)	20W	NO-Dim	D100*H62	Ø95 mm	15°/24°/36°/50°	27/30/35/4000K	Ra90	2100lm
01095A (TRB20)	20W	Triac	D100*H62	Ø95 mm	15°/24°/36°/50°	27/30/35/4000K	Ra90	2100lm
01095A (DAB20)	20W	DALI	D100*H62	Ø95 mm	15°/24°/36°/50°	27/30/35/4000K	Ra90	1700lm
01095A (DAC20)	20W	DALI	D100*H62	Ø95 mm	15°/24°/36°/50°	2700~5700K	Ra90	1700lm

• Input voltage: AC220~240V • Housing color: White or Black



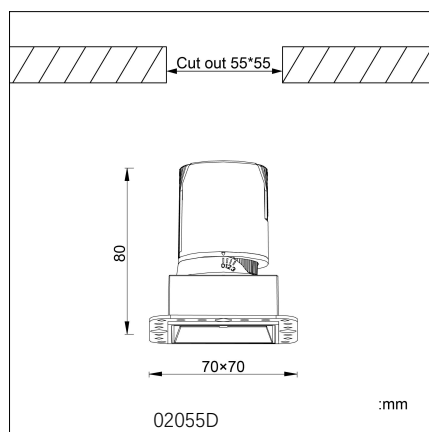
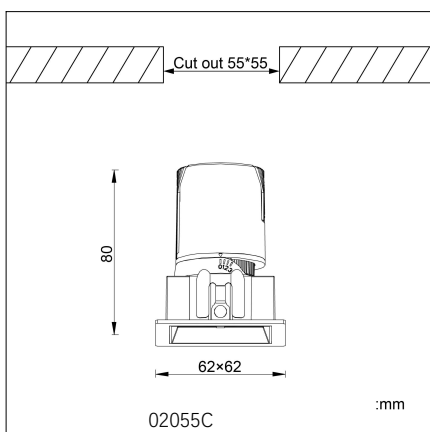
# 02 Series: Cut out 55 mm



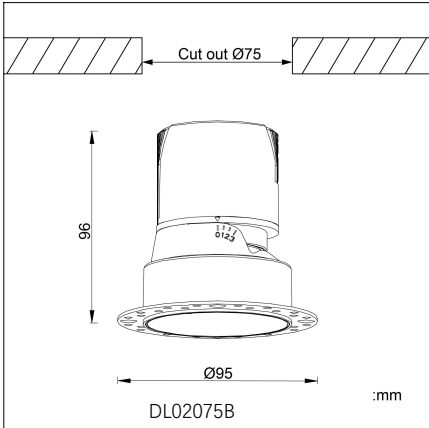
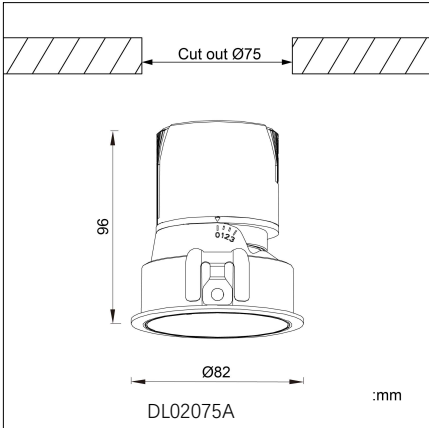
Model No.	Watt	Control	Dimension	Cut out	Beam angle	Color temp.	CRI	Lumen
02055A (ONF)	6W	NO-Dim	D62*H80	Ø55 mm	15°/24°/36°/50°	27/30/35/4000K	Ra90	470lm
02055A (TRB)	6W	Triac	D62*H80	Ø55 mm	15°/24°/36°/50°	27/30/35/4000K	Ra90	470lm
02055A (DAB)	6W	DALI	D62*H80	Ø55 mm	15°/24°/36°/50°	27/30/35/4000K	Ra90	470lm
02055A (DAC)	6W	DALI	D62*H80	Ø55 mm	15°/24°/36°/50°	2700~5700K	Ra90	380lm
02055A (RFC)	6W	RF 2.4G	D62*H80	Ø55 mm	15°/24°/36°/50°	2700~5700K	Ra90	380lm
02055B (ONF)	6W	NO-Dim	D70*H80	Ø55 mm	15°/24°/36°/50°	27/30/35/4000K	Ra90	470lm
02055B (TRB)	6W	Triac	D70*H80	Ø55 mm	15°/24°/36°/50°	27/30/35/4000K	Ra90	470lm
02055B (DAB)	6W	DALI	D70*H80	Ø55 mm	15°/24°/36°/50°	27/30/35/4000K	Ra90	470lm
02055B (DAC)	6W	DALI	D70*H80	Ø55 mm	15°/24°/36°/50°	2700~5700K	Ra90	380lm
02055B (RFC)	6W	RF 2.4G	D70*H80	Ø55 mm	15°/24°/36°/50°	2700~5700K	Ra90	380lm
02055C (ONF)	6W	NO-Dim	L62*W62*H80	L55*W55 mm	15°/24°/36°/50°	27/30/35/4000K	Ra90	470lm
02055C (TRB)	6W	Triac	L62*W62*H80	L55*W55 mm	15°/24°/36°/50°	27/30/35/4000K	Ra90	470lm
02055C (DAB)	6W	DALI	L62*W62*H80	L55*W55 mm	15°/24°/36°/50°	27/30/35/4000K	Ra90	470lm
02055C (DAC)	6W	DALI	L62*W62*H80	L55*W55 mm	15°/24°/36°/50°	2700~5700K	Ra90	380lm
02055C (RFC)	6W	RF 2.4G	L62*W62*H80	L55*W55 mm	15°/24°/36°/50°	2700~5700K	Ra90	380lm
02055D (ONF)	6W	NO-Dim	L70*W70*H80	L55*W55 mm	15°/24°/36°/50°	27/30/35/4000K	Ra90	470lm
02055D (TRB)	6W	Triac	L70*W70*H80	L55*W55 mm	15°/24°/36°/50°	27/30/35/4000K	Ra90	470lm
02055D (DAB)	6W	DALI	L70*W70*H80	L55*W55 mm	15°/24°/36°/50°	27/30/35/4000K	Ra90	470lm
02055D (DAC)	6W	DALI	L70*W70*H80	L55*W55 mm	15°/24°/36°/50°	2700~5700K	Ra90	380lm
02055D (RFC)	6W	RF 2.4G	L70*W70*H80	L55*W55 mm	15°/24°/36°/50°	2700~5700K	Ra90	380lm



● Input voltage: AC220~240V ● Housing color: White or Black



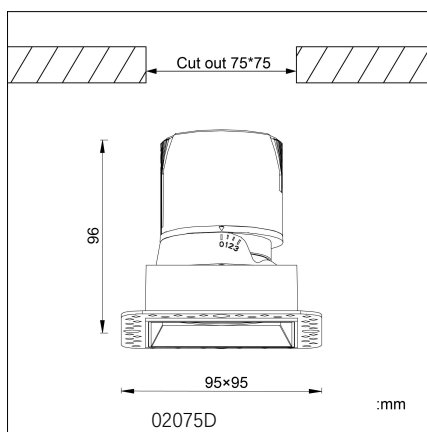
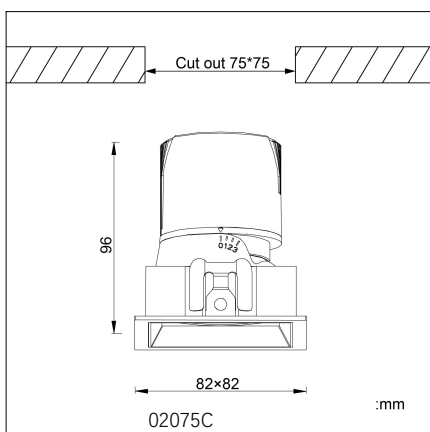
# 02 Series: Cut out 75 mm



Model No.	Watt	Control	Dimension	Cut out	Beam angle	Color temp.	CRI	Lumen
02075A (ONF)	10W	NO-Dim	D82*H96	Ø75 mm	15°/24°/36°/50°	27/30/35/4000K	Ra90	900lm
02075A (TRB)	10W	Triac	D82*H96	Ø75 mm	15°/24°/36°/50°	27/30/35/4000K	Ra90	900lm
02075A (DAB)	10W	DALI	D82*H96	Ø75 mm	15°/24°/36°/50°	27/30/35/4000K	Ra90	900lm
02075A (DAC)	10W	DALI	D82*H96	Ø75 mm	15°/24°/36°/50°	2700~5700K	Ra90	720lm
02075A (RFC)	10W	RF 2.4G	D82*H96	Ø75 mm	15°/24°/36°/50°	2700~5700K	Ra90	720lm
02075B (ONF)	10W	NO-Dim	D95*H96	Ø75 mm	15°/24°/36°/50°	27/30/35/4000K	Ra90	900lm
02075B (TRB)	10W	Triac	D95*H96	Ø75 mm	15°/24°/36°/50°	27/30/35/4000K	Ra90	900lm
02075B (DAB)	10W	DALI	D95*H96	Ø75 mm	15°/24°/36°/50°	27/30/35/4000K	Ra90	900lm
02075B (DAC)	10W	DALI	D95*H96	Ø75 mm	15°/24°/36°/50°	2700~5700K	Ra90	720lm
02075B (RFC)	10W	RF 2.4G	D95*H96	Ø75 mm	15°/24°/36°/50°	2700~5700K	Ra90	720lm
02075C (ONF)	10W	NO-Dim	L82*W82*H96	L75*W75 mm	15°/24°/36°/50°	27/30/35/4000K	Ra90	900lm
02075C (TRB)	10W	Triac	L82*W82*H96	L75*W75 mm	15°/24°/36°/50°	27/30/35/4000K	Ra90	900lm
02075C (DAB)	10W	DALI	L82*W82*H96	L75*W75 mm	15°/24°/36°/50°	27/30/35/4000K	Ra90	900lm
02075C (DAC)	10W	DALI	L82*W82*H96	L75*W75 mm	15°/24°/36°/50°	2700~5700K	Ra90	720lm
02075C (RFC)	10W	RF 2.4G	L82*W82*H96	L75*W75 mm	15°/24°/36°/50°	2700~5700K	Ra90	720lm
02075D (ONF)	10W	NO-Dim	L95*W95*H96	L75*W75 mm	15°/24°/36°/50°	27/30/35/4000K	Ra90	900lm
02075D (TRB)	10W	Triac	L95*W95*H96	L75*W75 mm	15°/24°/36°/50°	27/30/35/4000K	Ra90	900lm
02075D (DAB)	10W	DALI	L95*W95*H96	L75*W75 mm	15°/24°/36°/50°	27/30/35/4000K	Ra90	900lm
02075D (DAC)	10W	DALI	L95*W95*H96	L75*W75 mm	15°/24°/36°/50°	2700~5700K	Ra90	720lm
02075D (RFC)	10W	RF 2.4G	L95*W95*H96	L75*W75 mm	15°/24°/36°/50°	2700~5700K	Ra90	720lm



● Input voltage: AC220~240V ● Housing color: White or Black



# 02 Series: Cut out 75 mm





Model No.	Watt	Control	Dimension	Cut out	Beam angle	Color temp.	CRI	Lumen
02075E (ONF)	10W	NO-Dim	D85*H89	Ø75 mm	15°/24°/36°/50°	27/30/35/4000K	Ra90	lm
02075E (TRB)	10W	Triac	D85*H89	Ø75 mm	15°/24°/36°/50°	27/30/35/4000K	Ra90	lm
02075E (DAB)	10W	DALI	D85*H89	Ø75 mm	15°/24°/36°/50°	27/30/35/4000K	Ra90	lm
02075E (DAC)	10W	DALI	D85*H89	Ø75 mm	15°/24°/36°/50°	2700~5700K	Ra90	lm
02075E (RFC)	10W	RF 2.4G	D85*H89	Ø75 mm	15°/24°/36°/50°	2700~5700K	Ra90	lm
02075F (ONF)	10W	NO-Dim	D82*H106	Ø75 mm	15°/24°/36°/50°	27/30/35/4000K	Ra90	lm
02075F (TRB)	10W	Triac	D82*H106	Ø75 mm	15°/24°/36°/50°	27/30/35/4000K	Ra90	lm
02075F (DAB)	10W	DALI	D82*H106	Ø75 mm	15°/24°/36°/50°	27/30/35/4000K	Ra90	lm
02075F (DAC)	10W	DALI	D82*H106	Ø75 mm	15°/24°/36°/50°	2700~5700K	Ra90	lm
02075F (RFC)	10W	RF 2.4G	D82*H106	Ø75 mm	15°/24°/36°/50°	2700~5700K	Ra90	lm
02075G (ONF)	10W	NO-Dim	D82*H106	Ø75 mm	15°/24°/36°/50°	27/30/35/4000K	Ra90	lm
02075G (TRB)	10W	Triac	D82*H106	Ø75 mm	15°/24°/36°/50°	27/30/35/4000K	Ra90	lm
02075G (DAB)	10W	DALI	D82*H106	Ø75 mm	15°/24°/36°/50°	27/30/35/4000K	Ra90	lm
02075G (DAC)	10W	DALI	D82*H106	Ø75 mm	15°/24°/36°/50°	2700~5700K	Ra90	lm
02075G (RFC)	10W	RF 2.4G	D82*H106	Ø75 mm	15°/24°/36°/50°	2700~5700K	Ra90	lm
02075H (ONF)	10W	NO-Dim	D100*H89	Ø75 mm	15°/24°/36°/50°	27/30/35/4000K	Ra90	lm
02075H (TRB)	10W	Triac	D100*H89	Ø75 mm	15°/24°/36°/50°	27/30/35/4000K	Ra90	lm
02075H (DAB)	10W	DALI	D100*H89	Ø75 mm	15°/24°/36°/50°	27/30/35/4000K	Ra90	lm
02075H (DAC)	10W	DALI	D100*H89	Ø75 mm	15°/24°/36°/50°	2700~5700K	Ra90	lm
02075H (RFC)	10W	RF 2.4G	D100*H89	Ø75 mm	15°/24°/36°/50°	2700~5700K	Ra90	lm
02075I (ONF)	10W	NO-Dim	D95*H106	Ø75 mm	15°/24°/36°/50°	27/30/35/4000K	Ra90	lm
02075I (TRB)	10W	Triac	D95*H106	Ø75 mm	15°/24°/36°/50°	27/30/35/4000K	Ra90	lm
02075I (DAB)	10W	DALI	D95*H106	Ø75 mm	15°/24°/36°/50°	27/30/35/4000K	Ra90	lm
02075I (DAC)	10W	DALI	D95*H106	Ø75 mm	15°/24°/36°/50°	2700~5700K	Ra90	lm
02075I (RFC)	10W	RF 2.4G	D95*H106	Ø75 mm	15°/24°/36°/50°	2700~5700K	Ra90	lm
02075J (ONF)	10W	NO-Dim	D95*H106	Ø75 mm	15°/24°/36°/50°	27/30/35/4000K	Ra90	lm
02075J (TRB)	10W	Triac	D95*H106	Ø75 mm	15°/24°/36°/50°	27/30/35/4000K	Ra90	lm
02075J (DAB)	10W	DALI	D95*H106	Ø75 mm	15°/24°/36°/50°	27/30/35/4000K	Ra90	lm
02075J (DAC)	10W	DALI	D95*H106	Ø75 mm	15°/24°/36°/50°	2700~5700K	Ra90	lm
02075J (RFC)	10W	RF 2.4G	D95*H106	Ø75 mm	15°/24°/36°/50°	2700~5700K	Ra90	lm

● Input voltage: AC220~240V ● Housing color: White or Black

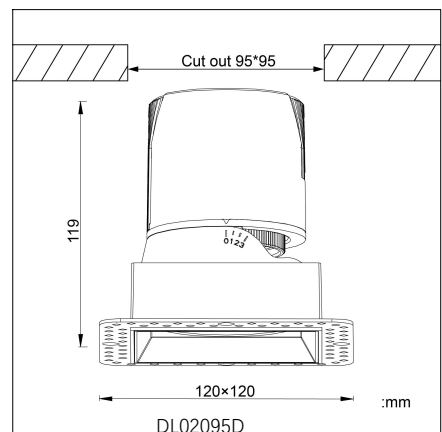
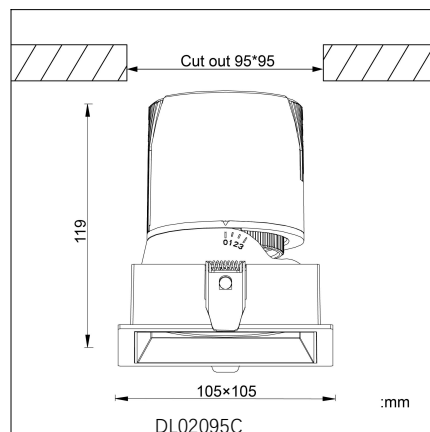
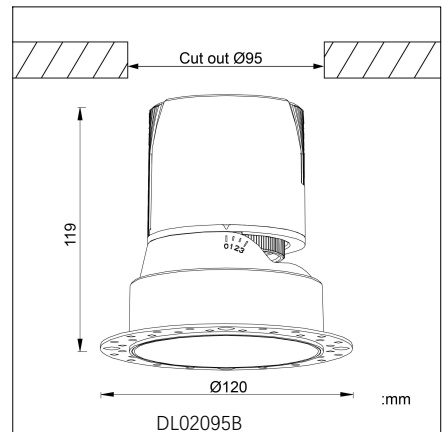
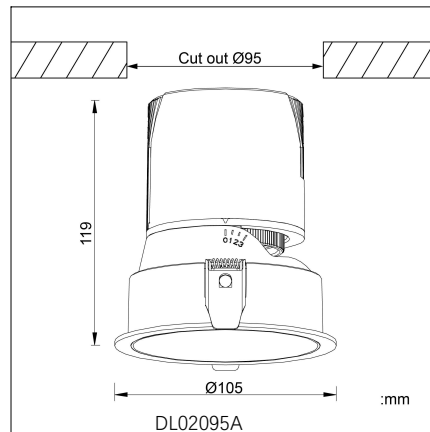


02 Series: Cut out 95 mm

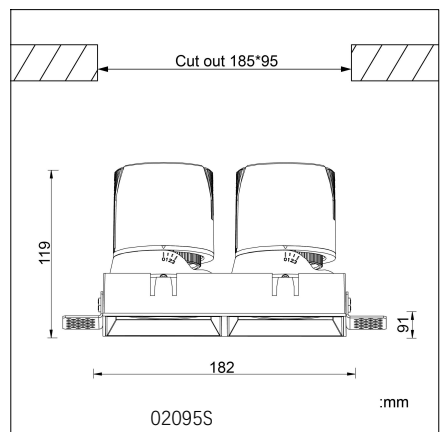
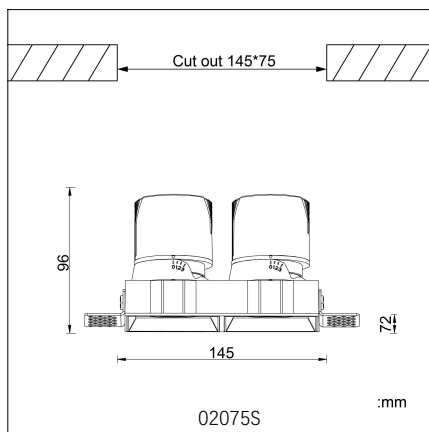
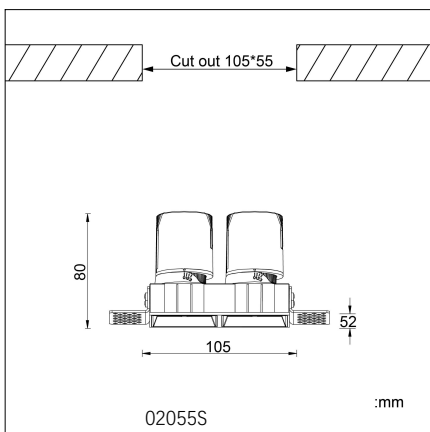
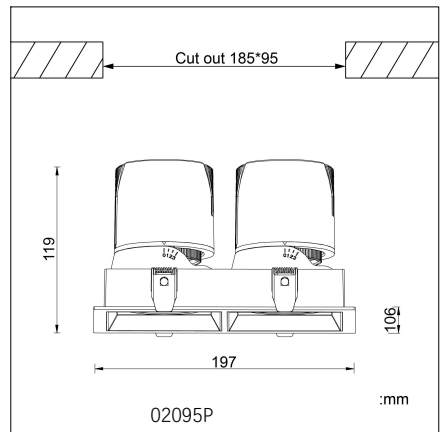
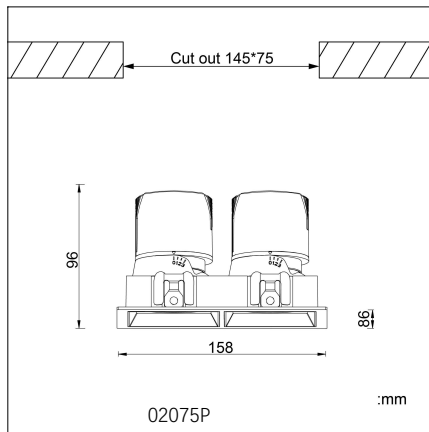
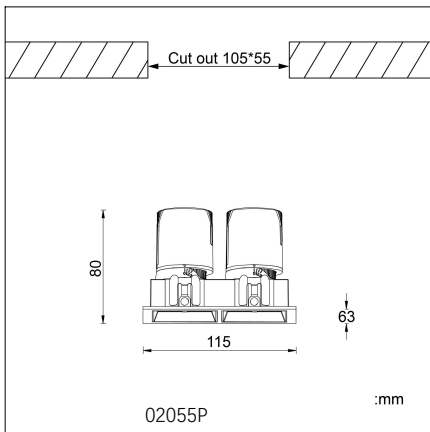


Model No.	Watt	Control	Dimension	Cut out	Beam angle	Color temp.	CRI	Lumen
02095A (ONF)	20W	NO-Dim	D105*H119	Ø95 mm	15°/24°/36°/50°	27/30/35/4000K	Ra90	2200lm
02095A (TRB)	20W	Triac	D105*H119	Ø95 mm	15°/24°/36°/50°	27/30/35/4000K	Ra90	2200lm
02095A (DAB)	20W	DALI	D105*H119	Ø95 mm	15°/24°/36°/50°	27/30/35/4000K	Ra90	2200lm
02095A (DAC)	20W	DALI	D105*H119	Ø95 mm	15°/24°/36°/50°	2700~5700K	Ra90	2200lm
02095B (ONF)	20W	NO-Dim	D120*H119	Ø95 mm	15°/24°/36°/50°	27/30/35/4000K	Ra90	2200lm
02095B (TRB)	20W	Triac	D120*H119	Ø95 mm	15°/24°/36°/50°	27/30/35/4000K	Ra90	2200lm
02095B (DAB)	20W	DALI	D120*H119	Ø95 mm	15°/24°/36°/50°	27/30/35/4000K	Ra90	2200lm
02095B (DAC)	20W	DALI	D120*H119	Ø95 mm	15°/24°/36°/50°	2700~5700K	Ra90	2200lm
02095C (ONF)	20W	NO-Dim	L105*W105*H119	L95*W95 mm	15°/24°/36°/50°	27/30/35/4000K	Ra90	2200lm
02095C (TRB)	20W	Triac	L105*W105*H119	L95*W95 mm	15°/24°/36°/50°	27/30/35/4000K	Ra90	2200lm
02095C (DAB)	20W	DALI	L105*W105*H119	L95*W95 mm	15°/24°/36°/50°	27/30/35/4000K	Ra90	2200lm
02095C (DAC)	20W	DALI	L105*W105*H119	L95*W95 mm	15°/24°/36°/50°	2700~5700K	Ra90	2200lm
02095D (ONF)	20W	NO-Dim	L120*W120*H119	L95*W95 mm	15°/24°/36°/50°	27/30/35/4000K	Ra90	2200lm
02095D (TRB)	20W	Triac	L120*W120*H119	L95*W95 mm	15°/24°/36°/50°	27/30/35/4000K	Ra90	2200lm
02095D (DAB)	20W	DALI	L120*W120*H119	L95*W95 mm	15°/24°/36°/50°	27/30/35/4000K	Ra90	2200lm
02095D (DAC)	20W	DALI	L120*W120*H119	L95*W95 mm	15°/24°/36°/50°	2700~5700K	Ra90	2200lm

● Input voltage: AC220~240V ● Housing color: White or Black



# 02 Series: 2 LED



Model No.	Watt	Control	Dimension	Cut out	Beam angle	Color temp.	CRI	Lumen
02055P (ONF)	6W*2	NO-Dim	L115*W63*H80	L105*W55 mm	15°/24°/36°/50°	27/30/35/4000K	Ra90	940lm
02055P (TRB)	6W*2	Triac	L115*W63*H80	L105*W55 mm	15°/24°/36°/50°	27/30/35/4000K	Ra90	940lm
02055P (DAB)	6W*2	DALI	L115*W63*H80	L105*W55 mm	15°/24°/36°/50°	27/30/35/4000K	Ra90	940lm
02055P (DAC)	6W*2	DALI	L115*W63*H80	L105*W55 mm	15°/24°/36°/50°	2700~5700K	Ra90	760lm
02055S (ONF)	6W*3	NO-Dim	L105*W52*H80	L105*W55 mm	15°/24°/36°/50°	27/30/35/4000K	Ra90	940lm
02055S (TRB)	6W*3	Triac	L105*W52*H80	L105*W55 mm	15°/24°/36°/50°	27/30/35/4000K	Ra90	940lm
02055S (DAB)	6W*3	DALI	L105*W52*H80	L105*W55 mm	15°/24°/36°/50°	27/30/35/4000K	Ra90	940lm
02055S (DAC)	6W*3	DALI	L105*W52*H80	L105*W55 mm	15°/24°/36°/50°	2700~5700K	Ra90	760lm
02075P (ONF)	10W*2	NO-Dim	L158*W86*H96	L145*W75 mm	15°/24°/36°/50°	27/30/35/4000K	Ra90	1800lm
02075P (TRB)	10W*2	Triac	L158*W86*H96	L145*W75 mm	15°/24°/36°/50°	27/30/35/4000K	Ra90	1800lm
02075P (DAB)	10W*2	DALI	L158*W86*H96	L145*W75 mm	15°/24°/36°/50°	27/30/35/4000K	Ra90	1800lm
02075P (DAC)	10W*2	DALI	L158*W86*H96	L145*W75 mm	15°/24°/36°/50°	2700~5700K	Ra90	1450lm
02075S (ONF)	10W*2	NO-Dim	L145*W72*H96	L145*W75 mm	15°/24°/36°/50°	27/30/35/4000K	Ra90	1800lm
02075S (TRB)	10W*2	Triac	L145*W72*H96	L145*W75 mm	15°/24°/36°/50°	27/30/35/4000K	Ra90	1800lm
02075S (DAB)	10W*2	DALI	L145*W72*H96	L145*W75 mm	15°/24°/36°/50°	27/30/35/4000K	Ra90	1800lm
02075S (DAC)	10W*2	DALI	L145*W72*H96	L145*W75 mm	15°/24°/36°/50°	2700~5700K	Ra90	1450lm
02095P (ONF)	20W*2	NO-Dim	L197*W106*H119	L185*W95 mm	15°/24°/36°/50°	27/30/35/4000K	Ra90	4000lm
02095P (TRB)	20W*2	Triac	L197*W106*H119	L185*W95 mm	15°/24°/36°/50°	27/30/35/4000K	Ra90	4000lm
02095P (DAB)	20W*2	DALI	L197*W106*H119	L185*W95 mm	15°/24°/36°/50°	27/30/35/4000K	Ra90	4000lm
02095P (DAC)	20W*2	DALI	L197*W106*H119	L185*W95 mm	15°/24°/36°/50°	2700~5700K	Ra90	3200lm
02095S (ONF)	20W*2	NO-Dim	L182*W91*H119	L185*W95 mm	15°/24°/36°/50°	27/30/35/4000K	Ra90	4000lm
02095S (TRB)	20W*2	Triac	L182*W91*H119	L185*W95 mm	15°/24°/36°/50°	27/30/35/4000K	Ra90	4000lm
02095S (DAB)	20W*2	DALI	L182*W91*H119	L185*W95 mm	15°/24°/36°/50°	27/30/35/4000K	Ra90	4000lm
02095S (DAC)	20W*2	DALI	L182*W91*H119	L185*W95 mm	15°/24°/36°/50°	2700~5700K	Ra90	3200lm

• Input voltage: AC220~240V • Housing color: White or Black

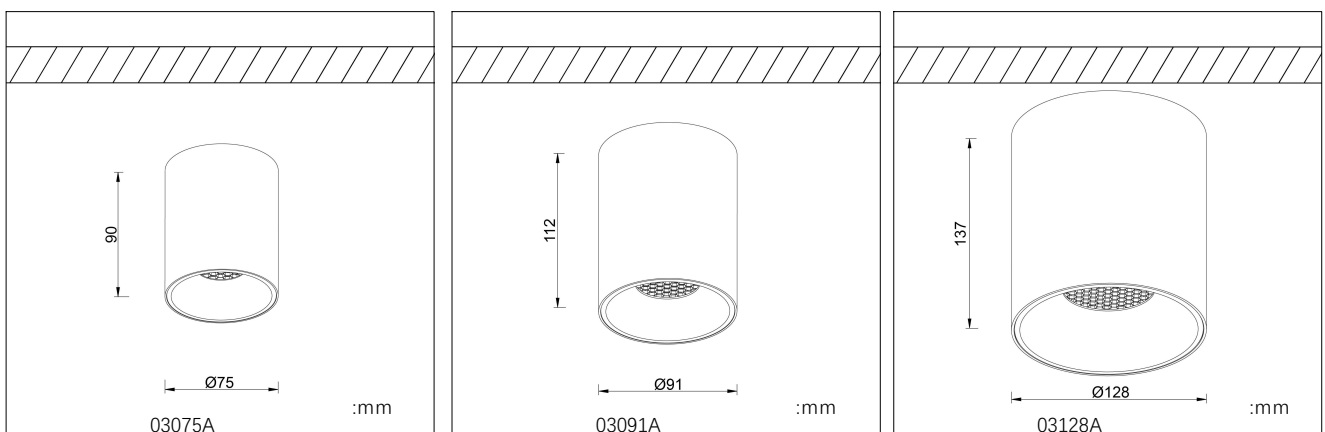


# 03 Series: Surface Mounted Downlight



Model No.	Watt	Control	Dimension	Beam angle	Color temp.	CRI	Lumen
03075A (ONF)	10W	NO-Dim	D75*H90	15°/24°/36°/50°	27/30/35/4000K	Ra90	1100lm
03075A (TRB)	10W	Triac	D75*H90	15°/24°/36°/50°	27/30/35/4000K	Ra90	1100lm
03075A (DAB)	10W	DALI	D75*H90	15°/24°/36°/50°	27/30/35/4000K	Ra90	1100lm
03091A (ONF)	15W	NO-Dim	D91*H112	15°/24°/36°/50°	27/30/35/4000K	Ra90	1600lm
03091A (TRB)	15W	Triac	D91*H112	15°/24°/36°/50°	27/30/35/4000K	Ra90	1600lm
03091A (DAB)	15W	DALI	D91*H112	15°/24°/36°/50°	27/30/35/4000K	Ra90	1600lm
03128A (ONF)	25W	NO-Dim	D128*H137	15°/24°/36°/50°	27/30/35/4000K	Ra90	2600lm
03128A (TRB)	25W	Triac	D128*H137	15°/24°/36°/50°	27/30/35/4000K	Ra90	2600lm
03128A (DAB)	25W	DALI	D128*H137	15°/24°/36°/50°	27/30/35/4000K	Ra90	2600lm
03128A (ONF)	30W	NO-Dim	D128*H137	15°/24°/36°/50°	27/30/35/4000K	Ra90	3100lm
03128A (TRB)	30W	Triac	D128*H137	15°/24°/36°/50°	27/30/35/4000K	Ra90	3100lm
03128A (DAB)	30W	DALI	D128*H137	15°/24°/36°/50°	27/30/35/4000K	Ra90	3100lm

• Input voltage: AC220~240V • Housing color: White or Black



04 Series: OSRAM SMD Downlight

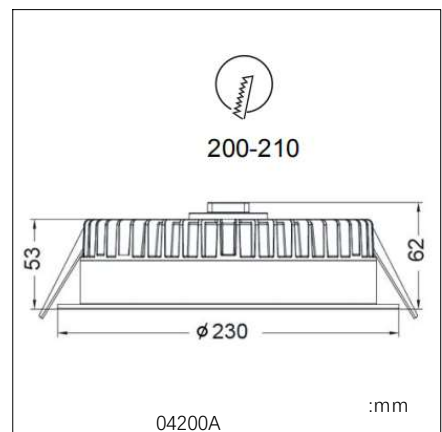
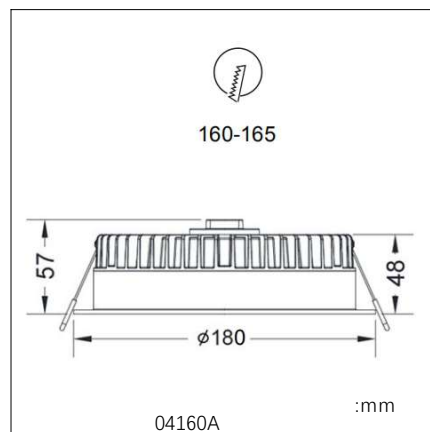
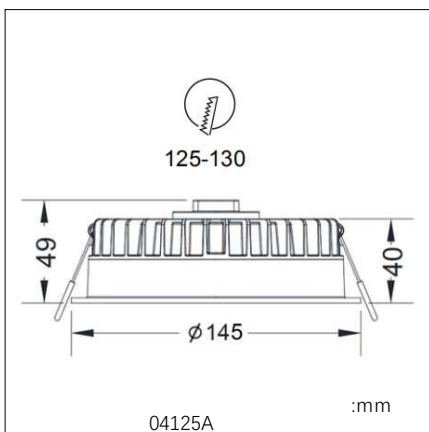




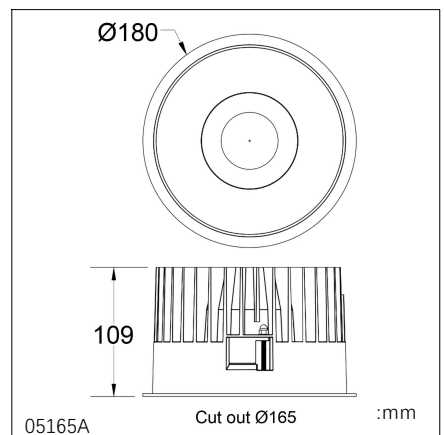
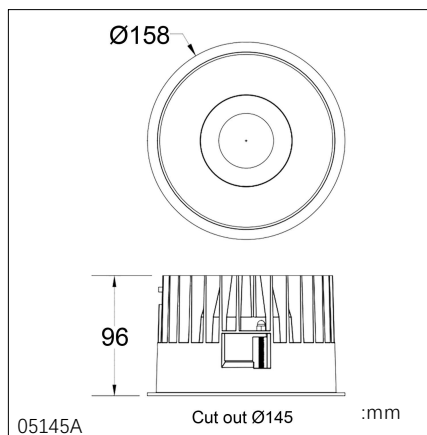
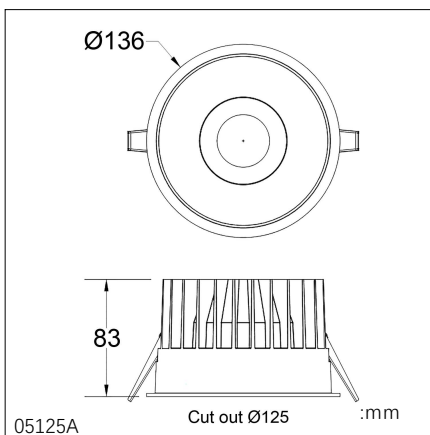
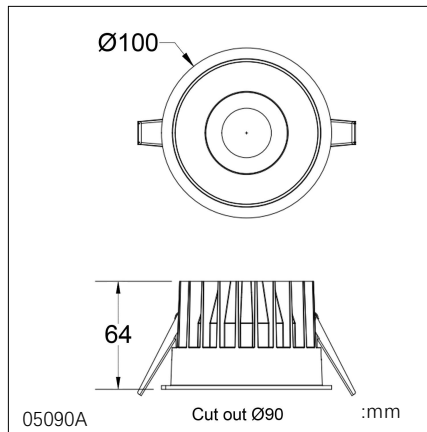
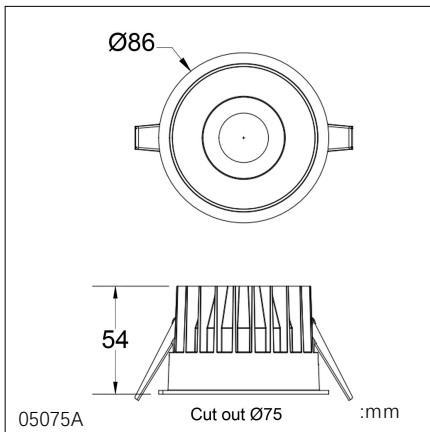
Model No.	Watt	Control	Dimension	Cut out	Beam angle	Color temp.	CRI	Lumen
04125A (ONF)	15W	NO-Dim	D145*H49	Ø125~130 mm	95°	30/40/50/5700K	Ra90	1500lm
04125A (TRB)	15W	Triac	D145*H49	Ø125~130 mm	95°	30/40/50/5700K	Ra90	1500lm
04125A (DAB)	15W	DALI	D145*H49	Ø125~130 mm	95°	30/40/50/5700K	Ra90	1500lm
04125A (10V)	15W	1-10V Knob	D145*H49	Ø125~130 mm	95°	30/40/50/5700K	Ra90	1500lm
04160A (ONF)	25W	NO-Dim	D180*H57	Ø160~165 mm	95°	30/40/50/5700K	Ra90	2500lm
04160A (TRB)	25W	Triac	D180*H57	Ø160~165 mm	95°	30/40/50/5700K	Ra90	2500lm
04160A (DAB)	25W	DALI	D180*H57	Ø160~165 mm	95°	30/40/50/5700K	Ra90	2500lm
04160A (10V)	25W	1-10V Knob	D180*H57	Ø160~165 mm	95°	30/40/50/5700K	Ra90	2500lm
04200A (ONF)	35W	NO-Dim	D230*H62	Ø200~210 mm	95°	30/40/50/5700K	Ra90	3500lm
04200A (TRB)	35W	Triac	D230*H62	Ø200~210 mm	95°	30/40/50/5700K	Ra90	3500lm
04200A (DAB)	35W	DALI	D230*H62	Ø200~210 mm	95°	30/40/50/5700K	Ra90	3500lm
04200A (10V)	35W	1-10V Knob	D230*H62	Ø200~210 mm	95°	30/40/50/5700K	Ra90	3500lm



• Input voltage: AC220~240V • Housing color: White or Black



# 05 Series: A Type

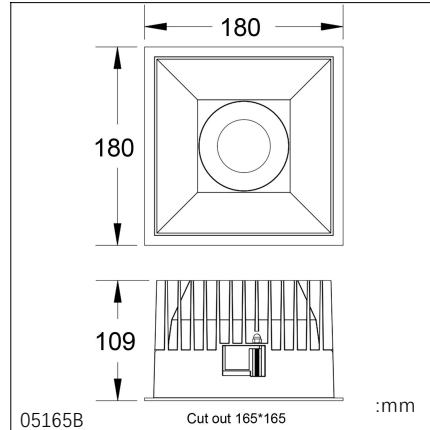
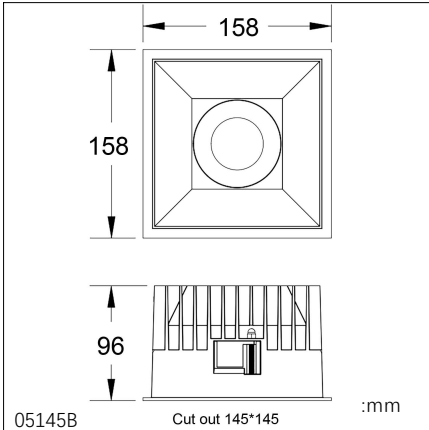
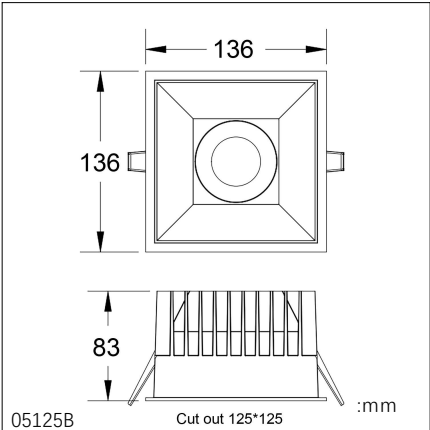
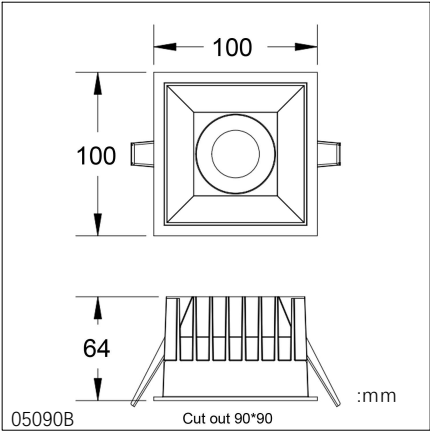
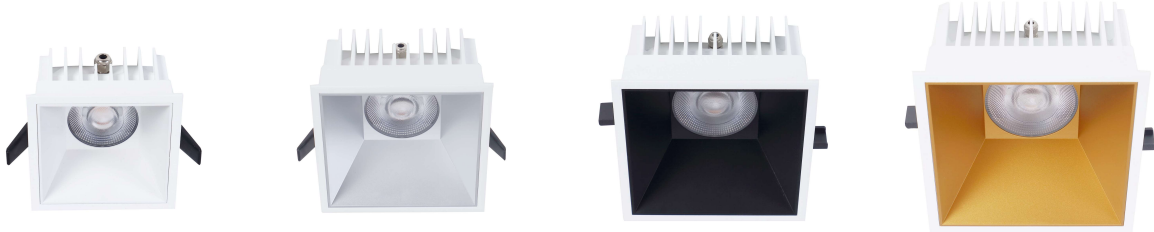


Model No.	Watt	Control	Dimension	Cut out	Beam angle	Color temp.	CRI	Lumen
05075A (ONF)	10W	NO-Dim	D86*H54	Ø75 mm	15°/24°/38°/60°	27/30/35/4000K	Ra90	860lm
05075A (TRB)	10W	Triac	D86*H54	Ø75 mm	15°/24°/38°/60°	27/30/35/4000K	Ra90	860lm
05075A (DAB)	10W	DALI	D86*H54	Ø75 mm	15°/24°/38°/60°	27/30/35/4000K	Ra90	860lm
05075A (DAC)	10W	DALI	D86*H54	Ø75 mm	15°/24°/38°/60°	2700-5700K	Ra90	800lm
05075A (IP54)	10W	NO-Dim	D86*H54	Ø75 mm	15°/24°/38°/60°	27/30/35/4000K	Ra90	860lm
05090A (ONF)	15W	NO-Dim	D100*H64	Ø90 mm	15°/24°/38°/60°	27/30/35/4000K	Ra90	1300lm
05090A (TRB)	15W	Triac	D100*H64	Ø90 mm	15°/24°/38°/60°	27/30/35/4000K	Ra90	1300lm
05090A (DAB)	15W	DALI	D100*H64	Ø90 mm	15°/24°/38°/60°	27/30/35/4000K	Ra90	1300lm
05090A (DAC)	15W	DALI	D100*H64	Ø90 mm	15°/24°/38°/60°	2700-5700K	Ra90	1200lm
05090A (IP54)	10W	NO-Dim	D100*H64	Ø90 mm	15°/24°/38°/60°	27/30/35/4000K	Ra90	860lm
05125A (ONF)	25W	NO-Dim	D136*H83	Ø125 mm	15°/24°/38°/60°	27/30/35/4000K	Ra90	2300lm
05125A (TRB)	25W	Triac	D136*H83	Ø125 mm	15°/24°/38°/60°	27/30/35/4000K	Ra90	2300lm
05125A (DAB)	25W	DALI	D136*H83	Ø125 mm	15°/24°/38°/60°	27/30/35/4000K	Ra90	2300lm
05125A (DAC)	25W	DALI	D136*H83	Ø125 mm	15°/24°/38°/60°	2700-5700K	Ra90	2000lm
05125A (IP54)	20W	NO-Dim	D136*H83	Ø125 mm	15°/24°/38°/60°	27/30/35/4000K	Ra90	1900lm
05145A (ONF)	35W	NO-Dim	D158*H96	Ø145 mm	15°/24°/38°/60°	27/30/35/4000K	Ra90	3200lm
05145A (TRB)	35W	Triac	D158*H96	Ø145 mm	15°/24°/38°/60°	27/30/35/4000K	Ra90	3200lm
05145A (DAB)	35W	DALI	D158*H96	Ø145 mm	15°/24°/38°/60°	27/30/35/4000K	Ra90	3200lm
05145A (DAC)	35W	DALI	D158*H96	Ø145 mm	15°/24°/38°/60°	2700-5700K	Ra90	2800lm
05145A (IP54)	30W	NO-Dim	D158*H96	Ø145 mm	15°/24°/38°/60°	27/30/35/4000K	Ra90	2800lm
05165A (ONF)	45W	NO-Dim	D180*H109	Ø165 mm	15°/24°/38°/60°	27/30/35/4000K	Ra90	3800lm
05165A (TRB)	45W	Triac	D180*H109	Ø165 mm	15°/24°/38°/60°	27/30/35/4000K	Ra90	3800lm
05165A (DAB)	45W	DALI	D180*H109	Ø165 mm	15°/24°/38°/60°	27/30/35/4000K	Ra90	3800lm
05165A (DAC)	45W	DALI	D180*H109	Ø165 mm	15°/24°/38°/60°	2700-5700K	Ra90	3400lm
05165A (IP54)	30W	NO-Dim	D180*H109	Ø165 mm	15°/24°/38°/60°	27/30/35/4000K	Ra90	2800lm

• Input voltage: AC220-240V • Housing color: White or Black



# 05 Series: B Type



Model No.	Watt	Control	Dimension	Cut out	Beam angle	Color temp.	CRI	Lumen
05090B (ONF)	15W	NO-Dim	L100*W100*H64	L90*W90 mm	15°/24°/38°/60°	27/30/35/4000K	Ra90	1300lm
05090B (TRB)	15W	Triac	L100*W100*H64	L90*W90 mm	15°/24°/38°/60°	27/30/35/4000K	Ra90	1300lm
05090B (DAB)	15W	DALI	L100*W100*H64	L90*W90 mm	15°/24°/38°/60°	27/30/35/4000K	Ra90	1300lm
05090B (DAC)	15W	DALI	L100*W100*H64	L90*W90 mm	15°/24°/38°/60°	2700~5700K	Ra90	1200lm
05090B (IP54)	10W	NO-Dim	L100*W100*H64	L90*W90 mm	15°/24°/38°/60°	27/30/35/4000K	Ra90	860lm
05125B (ONF)	25W	NO-Dim	L136*W136*H83	L125*W125 mm	15°/24°/38°/60°	27/30/35/4000K	Ra90	2300lm
05125B (TRB)	25W	Triac	L136*W136*H83	L125*W125 mm	15°/24°/38°/60°	27/30/35/4000K	Ra90	2300lm
05125B (DAB)	25W	DALI	L136*W136*H83	L125*W125 mm	15°/24°/38°/60°	27/30/35/4000K	Ra90	2300lm
05125B (DAC)	25W	DALI	L136*W136*H83	L125*W125 mm	15°/24°/38°/60°	2700~5700K	Ra90	2000lm
05125B (IP54)	20W	NO-Dim	L136*W136*H83	L125*W125 mm	15°/24°/38°/60°	27/30/35/4000K	Ra90	1900lm
05145B (ONF)	35W	NO-Dim	L158*W158*H96	L145*W145 mm	15°/24°/38°/60°	27/30/35/4000K	Ra90	3200lm
05145B (TRB)	35W	Triac	L158*W158*H96	L145*W145 mm	15°/24°/38°/60°	27/30/35/4000K	Ra90	3200lm
05145B (DAB)	35W	DALI	L158*W158*H96	L145*W145 mm	15°/24°/38°/60°	27/30/35/4000K	Ra90	3200lm
05145B (DAC)	35W	DALI	L158*W158*H96	L145*W145 mm	15°/24°/38°/60°	2700~5700K	Ra90	2800lm
05145B (IP54)	30W	NO-Dim	L158*W158*H96	L145*W145 mm	15°/24°/38°/60°	27/30/35/4000K	Ra90	2800lm
05165B (ONF)	45W	NO-Dim	L180*W180*H109	L165*W165 mm	15°/24°/38°/60°	27/30/35/4000K	Ra90	3800lm
05165B (TRB)	45W	Triac	L180*W180*H109	L165*W165 mm	15°/24°/38°/60°	27/30/35/4000K	Ra90	3800lm
05165B (DAB)	45W	DALI	L180*W180*H109	L165*W165 mm	15°/24°/38°/60°	27/30/35/4000K	Ra90	3800lm
05165B (DAC)	45W	DALI	L180*W180*H109	L165*W165 mm	15°/24°/38°/60°	2700~5700K	Ra90	3400lm
05165B (IP54)	30W	NO-Dim	L180*W180*H109	L165*W165 mm	15°/24°/38°/60°	27/30/35/4000K	Ra90	2800lm

● Input voltage: AC220~240V ● Housing color: White or Black



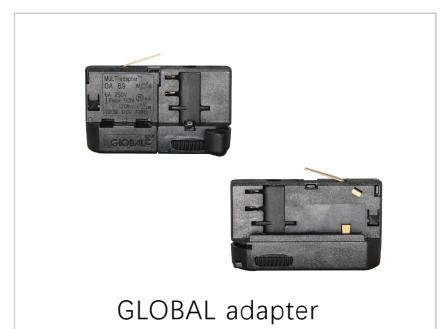
# Track Lighting Accessories

## 4-Wire (3-Phase) Track And Connectors

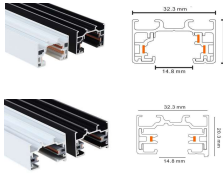


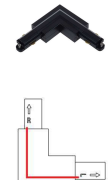
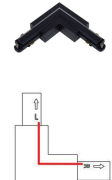

4-wire (3-Phase)	Track	Live power connector/ End for track	I-coupler inner type	I-coupler external type	L-coupler Left side	L-coupler Right side	L-coupler Rotative	L-coupler Flexible
Model NO.	T410 (1.0 meter) HYR- T415 (1.5 meter) HYR- T420 (2.0 meter)	461L+(end cap) 461R +(end cap)	467	462	463L	463R	468	469

4-wire (3-Phase)	T-coupler Left side-1	T-coupler Left side-2	T-coupler Right side-1	T-coupler Right side-2	X-coupler	Suspension track connections fixed kit	Suspension mounted kit wire length 1.5M	Ceiling mounted kit	Surface Mounted Track Base
Model NO.	464L1	464L2	464R1	464R2	465	494	491	495	3M





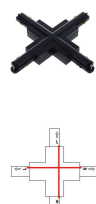




• Input voltage: AC220~240V • Housing color: White or Black



# 3-Wire/ 2-Wire (1-Phase) Track

3-wire/ 2-wire (1-Phase)	Track	Live power connector/ End for track	I-coupler inner type/ external type	L-coupler Left side	L-coupler Right side	L-coupler Rotative
						

3-wire Model NO.	T310 (1.0 meter) HYR-T315 (1.5 meter) HYR-T320 (2.0 meter)	361L+(end cap) 361R +(end cap)	367 (inner) 362 (external)	363L	363R	369
2-wire Model NO.	T210 (1.0 meter) HYR-T215 (1.5 meter) HYR-T220 (2.0 meter)	261L 261R 266 (End cap)	267 (inner) 262 (external)	263L	263R	269








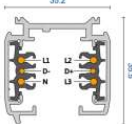

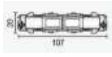
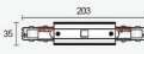

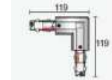
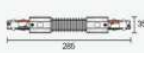
3-wire/2-wire (1-Phase)	T-coupler Left side -1	T-coupler Left side -2	T-coupler Right side -1	T-coupler Right side -2	X-coupler	Ceiling mounted kit	Suspension mounted kit wire length 1.5M	Adapter 3 wire 2 wire	Adapter 4-wire
									

3-wire Model NO.	364L1	364L2	364R1	364R2	365	392	391	301	401
2-wire Model NO.	264L1	264L2	264R1	264R2	265	292	291	201	

• Input voltage: AC220~240V • Housing color: White or Black

# Track Lighting Accessories

## DALI 6-Wire(3-Phase) Track And Connectors

6-wire (3-Phase)	Track	Live power connector +end cap	I-coupler inner type	I-coupler external type	L-coupler Left side	L-coupler Right side	L-coupler Flexible
							
							

Model NO.	0610 (1.0 meter) 0615 (1.5 meter) 0620 (2.0 meter)	D631L+(end cap D632) D631R+(end cap D632)	HYR- D633	D634	D635L	D635R	D639
-----------	--	--	--------------	------	-------	-------	------

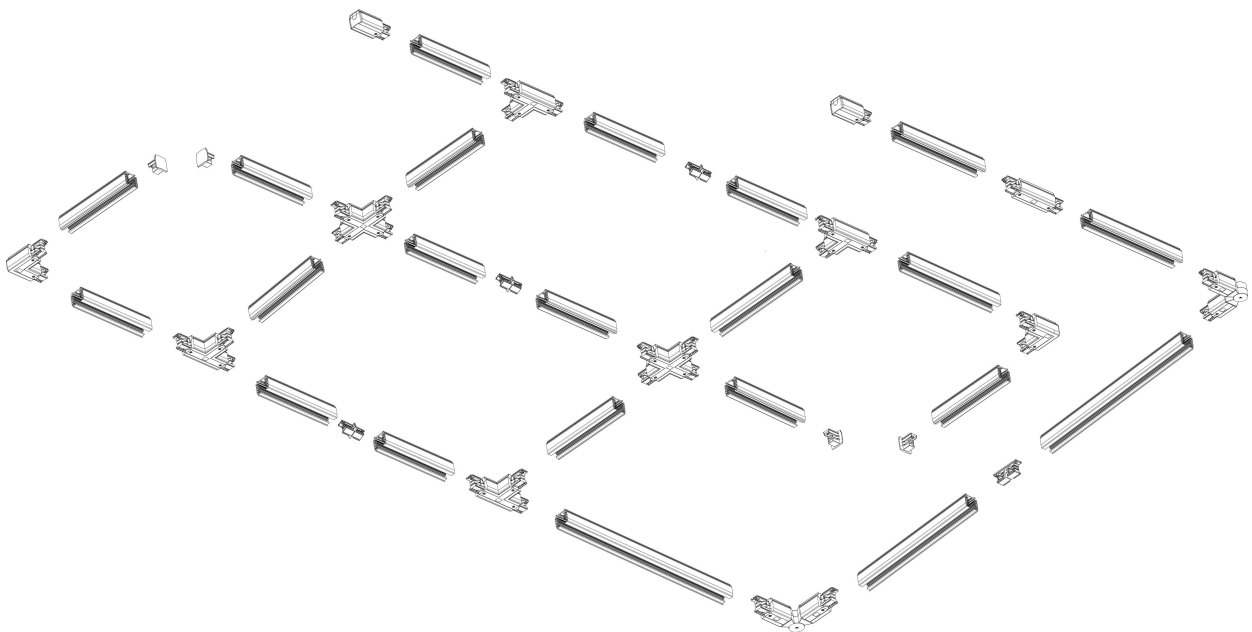
6-wire (3-Phase)	T-coupler Left side-1 T-coupler Left side-2 T-coupler Right side-1 T-coupler Right side-2	X-coupler	Connections fixed kit for suspension track	Suspension mounted kit wire length 1.5M	6 wire Recessed type 4-wire (3-Phase) Track	6 wire Recessed type connectors cover
						
						

Model NO.	D636L1 D636L2 D636R1 D636R2	D637	494 (the same with 4 wires)	491 (the same with 4 wires)	R610 (1.0 meter) R620 (2.0 meter)	HYR- R631 for live power R434 for external R435 for L R436 for T R437 for X
-----------	--------------------------------------	------	--------------------------------	--------------------------------	--------------------------------------	--

• Input voltage: AC220~240V • Housing color: White or Black






# Installation Of 4/6-Wire (3-Phase) Track















# Control System

## DALI System Control Gear

Picture	Model No.	Features	Description
	REI D101A	<b>DALI Dimmer+Bus Power</b> Built-in 100mA DALI bus power. Tunable White+ Brightness Dimming	DALI Dimmer+Bus Power - built-in 100mA DALI bus power under AC mains. - on/off, brightness dimmable and tunable white control. - standard size design. - can be powered by DALI bus while not connected with AC mains.
	REI D102A	<b>DALI Keypad A</b> Tunable White+ Brightness Dimming	DALI Keypad A - 8 keys, power supplied by DALI bus. - on/off, brightness dimmable and tunable white control. - can set 2 scenes, standard size, easy installation.
	REI D103A	<b>DALI Keypad B</b> Tunable White+ Brightness Dimming	DALI Keypad B - 8 keys, power supplied by DALI bus. - on/off, brightness dimmable and tunable white control. - can set 2 scenes, standard size, easy installation.
	REI D101B	<b>DALI Dimmer+Bus Power</b> Brightness Dimming Only	DALI Dimmer+Bus Power - built-in 100mA DALI bus power under AC mains. - on/off, brightness dimmable only - standard size design. - can be powered by DALI bus while not connected with AC mains.
	REI D102B	<b>DALI Keypad A</b> Brightness Dimming Only	DALI Keypad A - 8 keys, power supplied by DALI bus. - on/off, brightness dimmable only. - can set 4 scenes, standard size, easy installation.
	REI D103B	<b>DALI Keypad B</b> Brightness Dimming Only	DALI Keypad B - 8 keys, power supplied by DALI bus. - on/off, brightness dimmable only. - can set 4 scenes, standard size, easy installation.
	REI D105	<b>DALI Bus Power Supply</b>	DALI Bus Power Supply - max. output current 250mA for DALI bus. - DIN RAIL installation.
	REI D106	<b>DALI Phase Dimmer</b>	DALI Phase Dimmer - AC-AC, 4 channels output, Triac dimmable and mosfet dimmable, Forward-phase and reverse-phase, Minimum brightness setting, DIN RAIL installation.
	REI D108	<b>DALI Relay Module+ DALI to 0/1-10V Converter</b>	DALI Relay Module + DALI to 0/1-10V Converter - Powered by DALI bus, Capacitive/Resistive loads, DALI bus consumption: 3mA - Max. load AC200-240V LED 300W / incandescent and halogen 1000W. - Output 0/1-10V current 10mA for 0/1-10V LED driver 1mA/piece, Max capacity 10pcs.
	REI D109	<b>DALI+ Push AC Phase Cut Dimmer 200W</b>	DALI+ Push AC Phase Cut Dimmer 200W - AC100-240VAC, DALI consumption 2 mA - Compatible Load Types Triac Dimmable LED lamps 220-240V 200W
	REI D110A	<b>4 Group DT8 DALI CCT Dual Color Touch Controller</b>	4 Group DT8 DALI CCT Dual Color Touch Controller - Built-in 100mA DALI bus power under AC mains - Powered by DALI bus while not connected to AC mains. - DALI consumption 4 mA
	REI D110B	<b>4 Group DT6 DALI DIM Single Color Touch Controller</b>	4 Group DT6 DALI DIM Single Color Touch Controller - Built-in 100mA DALI bus power under AC mains - Powered by DALI bus while not connected to AC mains. - DALI consumption 4 mA
	REI D111	<b>Mini DALI Power Supply 100mA</b>	Mini DALI Power Supply 100mA - AC100-240VAC, Mini DALI power supply, max. 100mA output - Match all DALI system in the market - Mini size, easy installation into existing wall boxes


# Remote Control RF 2.4G Wireless

Picture	Model No.	Description
	REI J101	Model: REI J101 Control: 1 Zone Tunable White+Brightness Dimming, 0.1%~100% smooth dimming Working voltage: 3VDC by CR2032 battery Connection: RF 2.4G Wireless, 30m remote distance from controller to LED light. No limit to the number of lights.
	REI J102-1	Model: REI J102-1 Control: 4 Zone Tunable White+Brightness Dimming, 0.1%~100% smooth dimming Working voltage: 3VDC by 2 pcs AAA battery Connection: RF 2.4G Wireless, 30m remote distance from controller to LED light. No limit to the number of lights.
	REI J102-2	Model: REI J102-2 Control: 4 Zone Tunable White+Brightness Dimming, 0.1%~100% smooth dimming Working voltage: 100-240VAC input Connection: RF 2.4G Wireless, 30m remote distance from controller to LED light. No limit to the number of lights.
	REI J102-3	Model: REI J102-3 Control: 4 Zone Brightness Dimming, 0.1%~100% smooth dimming Working voltage: 3VDC by 2 pcs AAA battery Connection: RF 2.4G Wireless, 30m remote distance from controller to LED light. No limit to the number of lights.
	REI J102-4	Model: REI J102-4 Control: 4 Zone Brightness Dimming, 0.1%~100% smooth dimming Working voltage: 100-240VAC input Connection: RF 2.4G Wireless, 30m remote distance from controller to LED light. No limit to the number of lights.
	REI J103-1	Model: REI J103-1 Control: 1 Tunable White+Brightness Dimming, 0.1%~100% smooth dimming Working voltage: 3VDC by 2 pcs AAA battery Connection: RF 2.4G Wireless, 30m remote distance from controller to LED light. No limit to the number of lights.
	REI J103-2	Model: REI J103-2 Control: 4 Zone Tunable White+Brightness Dimming, 0.1%~100% smooth dimming Working voltage: 3VDC by 2 pcs AAA battery Connection: RF 2.4G Wireless, 30m remote distance from controller to LED light. No limit to the number of lights.
	REI J103-3	Model: REI J103-3 Control: 1 Zone Brightness Dimming, 0.1%~100% smooth dimming Working voltage: 3VDC by 2 pcs AAA battery Connection: RF 2.4G Wireless, 30m remote distance from controller to LED light. No limit to the number of lights.
	REI J103-4	Model: REI J103-4 Control: 4 Zone Brightness Dimming, 0.1%~100% smooth dimming Working voltage: 3VDC by 2 pcs AAA battery Connection: RF 2.4G Wireless, 30m remote distance from controller to LED light. No limit to the number of lights.
	REI J103-5	Model: REI J103-5 Control: 8 Zone Brightness Dimming, 0.1%~100% smooth dimming Working voltage: 3VDC by 2 pcs AAA battery Connection: RF 2.4G Wireless, 30m remote distance from controller to LED light. No limit to the number of lights.
	REI J103-6	Model: REI J103-6 Control: 8 Zone Tunable White+Brightness Dimming, 0.1%~100% smooth dimming Working voltage: 3VDC by 2 pcs AAA battery Connection: RF 2.4G Wireless, 30m remote distance from controller to LED light. No limit to the number of lights.
	REI J104	Model: REI J104 Control: 8 Zone Tunable White, Brightness Dimming, RGB, RGBW or RGB+CCT RF LED controller Working voltage: 3VDC by 2 pcs AAA battery Connection: RF 2.4G Wireless, 30m remote distance from controller to LED light. No limit to the number of lights.


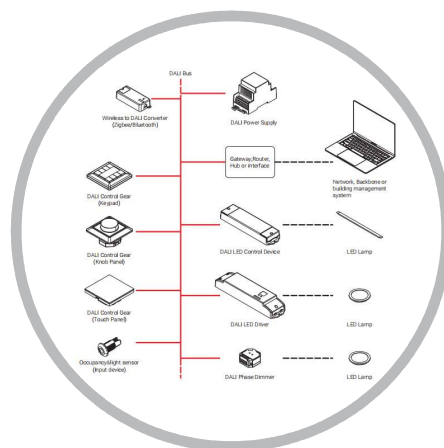
# Smart Lighting, More Comfortable

## Easy Smart Lighting Solutions


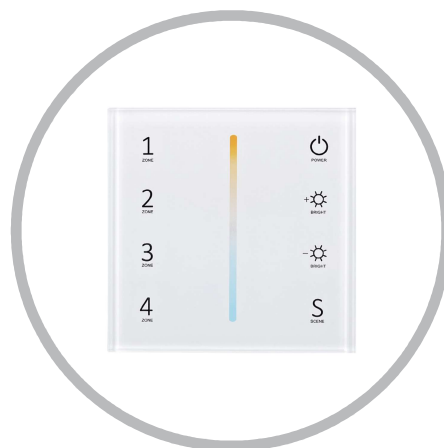
### DALI, RF, CASAMBI



**DALI Control**  
Wired connection  
Brightness 0.1~100% dimming  
Tunable white 2700~5700K



**RF Remote Control**  
Wireless controllers  
Brightness 0.1~100% dimming  
Tunable white 2700~5700K

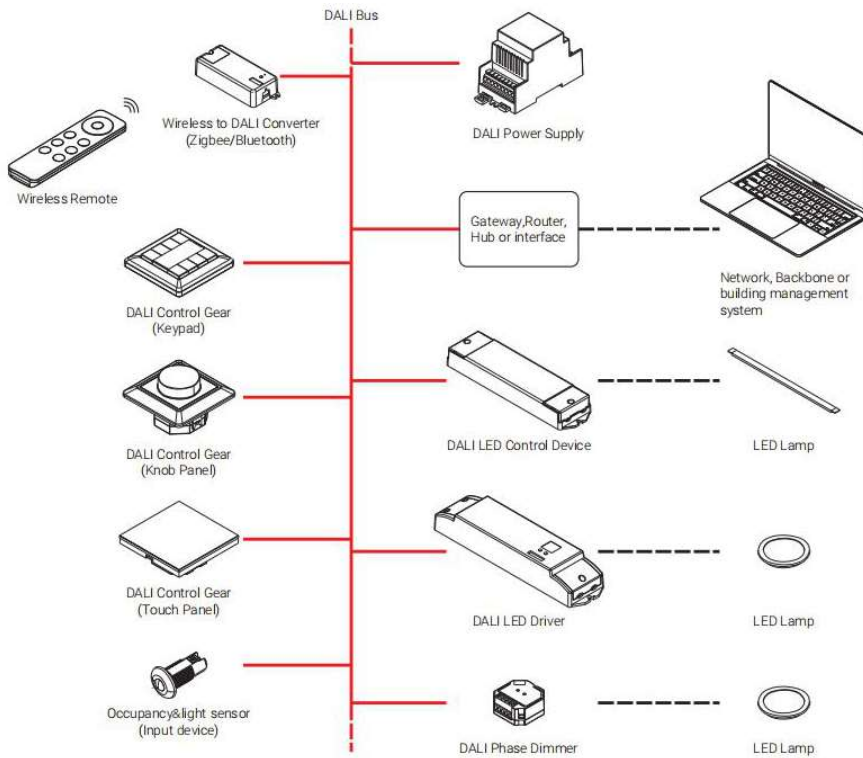


**CASAMBI App Control**  
Mobile bluetooth wireless  
Brightness 1~100% dimming  
Tunable white 2700~5700K



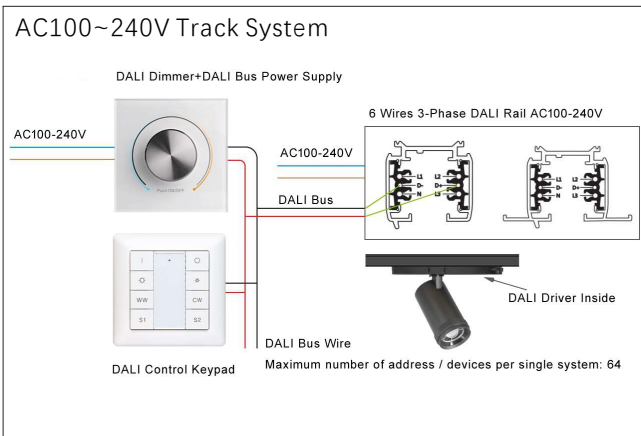
# DALI Control, Wired Connection

An Example Of A DALI Lighting-control System



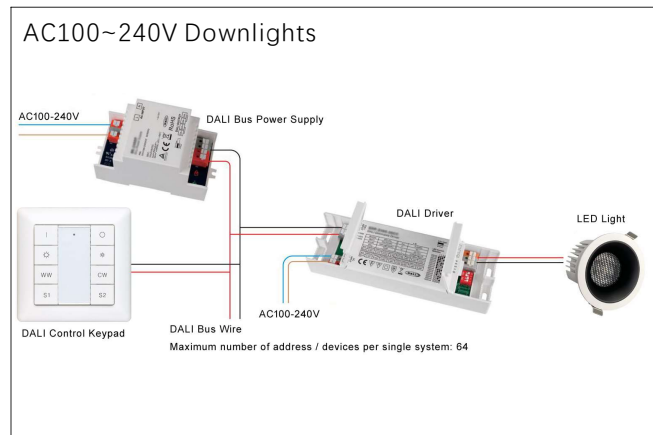
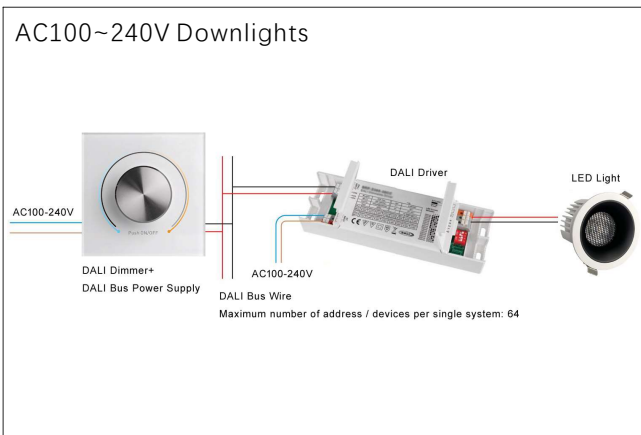
## Easy Connecting Ways Of DALI Smart Lighting

## Basic Parameters Of DALI Protocol



### Basic Parameters of DALI Protocol

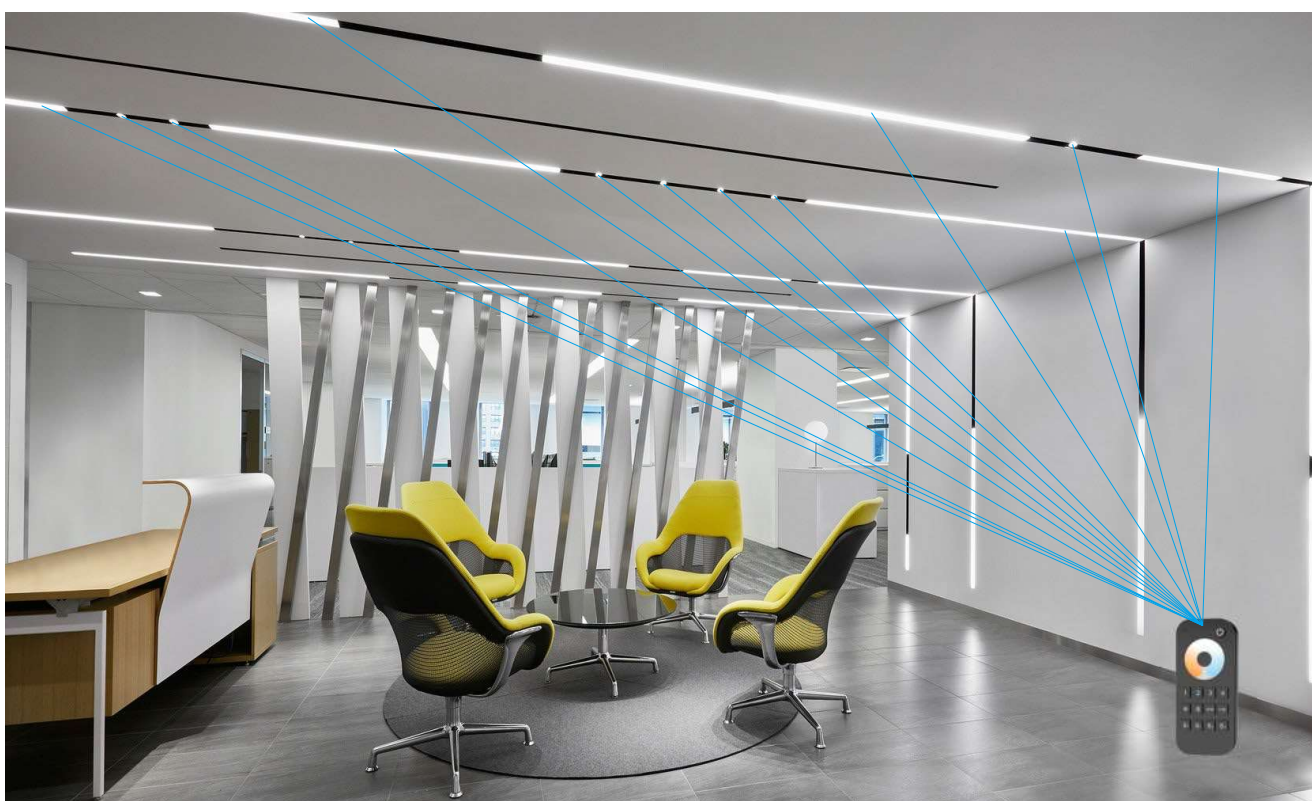
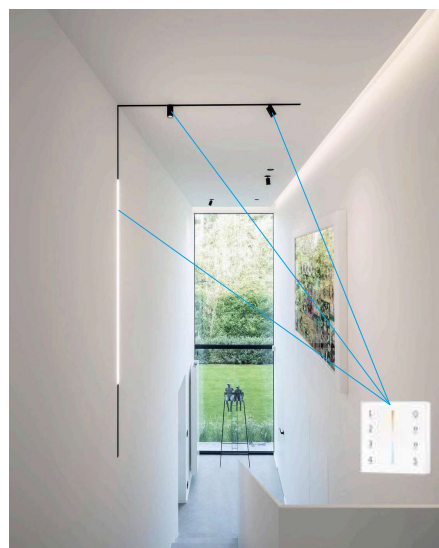
DALI Signal Voltage	High Voltage : 9.5-22.5 V Low Voltage : -6.5 - (+)6.5 V
System Current	Max : 250mA
Data Transmission Speed	1200 bps
Maximum Cable Length	300 m, Related to wire diameter
Cable Type	1.5 mm <sup>2</sup> , Related to wire diameter
Maximum number of address / devices per single system	64
Maximum number of lighting scenes per single system	16
Maximum number of groups per single system	16



# RF Remote Control, Wireless

## Why RF Remote Control?

- RF remote control product is easy for smart lighting, the remote controller connects each light directly by RF 2.4G wireless signal, no wiring required.
- RF remote control product is more cost-effective than DALI or CASAMBI for smart lighting. The controllers and lights with low cost, more acceptable price for customers.
- Easy to use, no need for professionals to set up, control a luminaire to turn it on or off, adjust brightness, colour temperature, or control all lights by several groups and save lighting scenes.



# CASAMBI App, Mobile Control

## The Casambi App

Casambi allows people to control luminaires directly from their mobile device, using Bluetooth Low Energy, the cutting-edge communication technology is built into every modern smartphone, tablet and smartwatch.

The logo for CASAMBI, featuring the word "CASAMBI" in a bold, black, sans-serif font. The letter "A" is replaced by a stylized yellow and orange triangle.

All the users need to do is to download the Casambi app on their iOS or Android device, then they are ready to control all their light fittings.

Casambi's app is designed to make it easy for anyone to commission and control lighting. The app employs intuitive gesture control: tap a luminaire to turn it on or off, swipe side-to-side to adjust brightness, up and down for colour temperature, or hold to change the colour. The unique gallery feature even lets users upload their own photos of space, mark the positions of the luminaires, and use this to select and control them.



# Allure Verlichting

Allure Verlichting  
Address: Handelsweg 6  
Postcode: 7641AC Wierden  
Tel.: 0031 (0) 546 579 005

Email: [info@allureverlichting.nl](mailto:info@allureverlichting.nl)  
Web: [www.allureverlichting.nl](http://www.allureverlichting.nl)

Version 04/2023